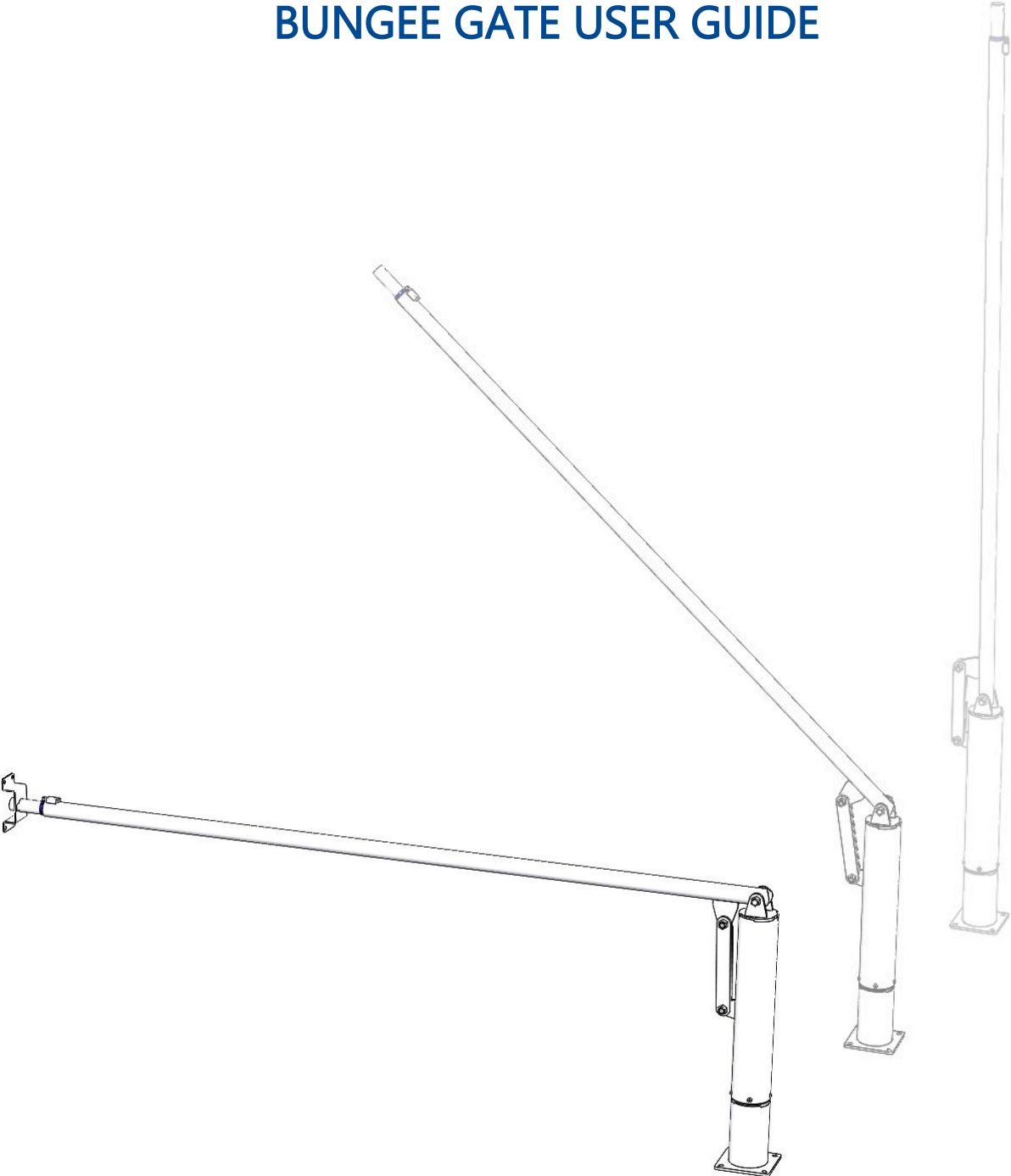




Call: +44 (0)1782 339320 | Email: sales@iae.co.uk | Weblink: <https://iae.co.uk/>

BUNGEE GATE USER GUIDE



TECHNICAL DOC. No. 1003862-01

CONTENTS

EXTENDING.....	Page 3
LIFTING	Page 4
ROTATING	Page 5
RECOMMENDED MAINTENANCE	Page 6

INTENDED USE

A simple to use spring operated single rail barrier with the capability to extend and rotate complete 360° allowing operator to fit into variable sized openings and close off multiple passageways – ideal for integrating into a cubicle housing environment.

FEATURES

- ✓ Extending rail (2.375m possible extension)
 - ✓ 360° rotation
 - ✓ Vertical opening (when not in use)
- ✓ Catch plate for locking horizontal (when in use)
 - ✓ Encased spring and rotary bearings
 - ✓ Supplied fully fitted up.
- ✓ Post on base plate – for ground bolting

SAFETY INFORMATION

PLEASE TAKE NOTE OF THE FOLLOWING SAFETY PRECAUTIONS BEFORE USE FOR THE WELLBEING OF ALL ANIMALS AND PERSONNEL. ANY HARM OR INJURY WHICH OCCURS FROM THE LACK OF COMPLIANCE WITH THESE HEALTH AND SAFETY MEASURES WILL BE THE RESPONSIBILITY OF THE OPERATOR.

- IMPORTANT! Read these instructions carefully before use.
- WARNING! Be careful with hands, fingers and limbs when operating.
- Personal protection may be required for some stages of operation – IAE advise to wear gloves for extending the bungee gate.
- DO NOT lean on or exert undue pressure on the product.
- ALWAYS Check the product for damage before each use.

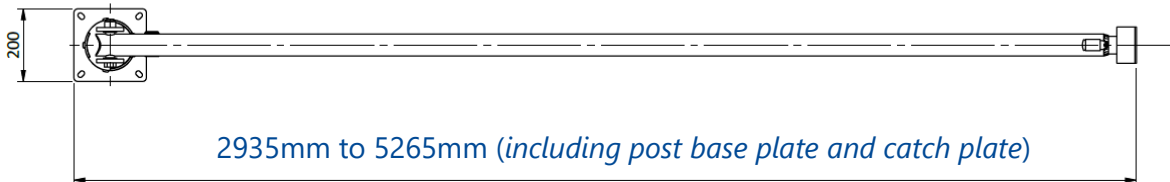
If you have any questions or comments regarding the product, we will be glad to hear them either through our website www.iae.co.uk or by contacting your local IAE dealership.

EXTENDING

LIMITS

The extending rail **can lengthen by 2375mm max.** to fit different openings.

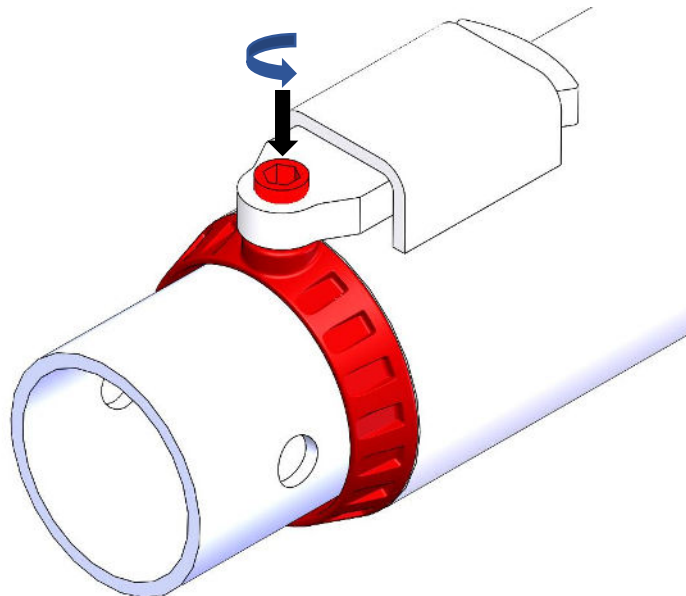
- see plan view below for gate length ranges,



INSTRUCTIONS

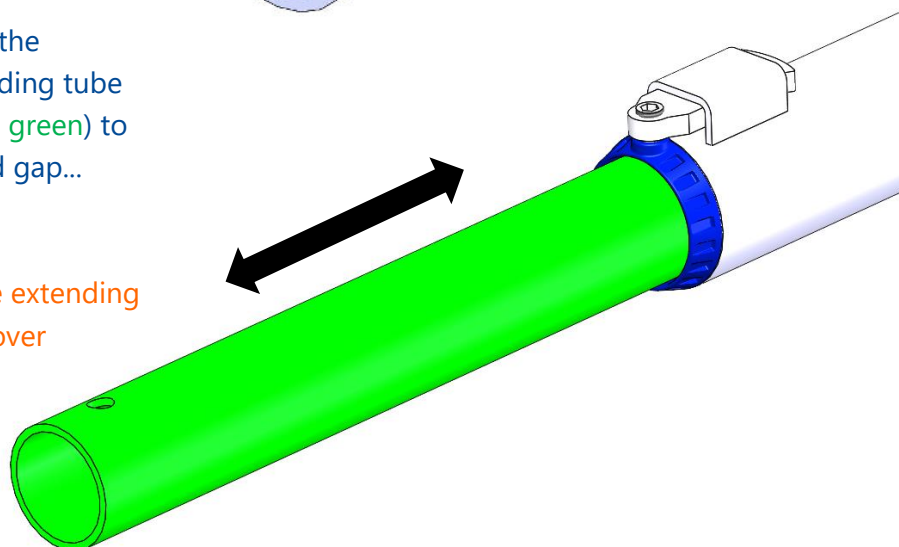
1. Loosen grub screw securing the locking sleeve (highlighted in red).

Tool needed: hex wrench set.



2. By hand, slide the $\text{Ø}48\text{mm}$ extending tube (highlighted in green) to fit the required gap...

CAUTION:
DO NOT allow the extending tube to lengthen over 2400mm.



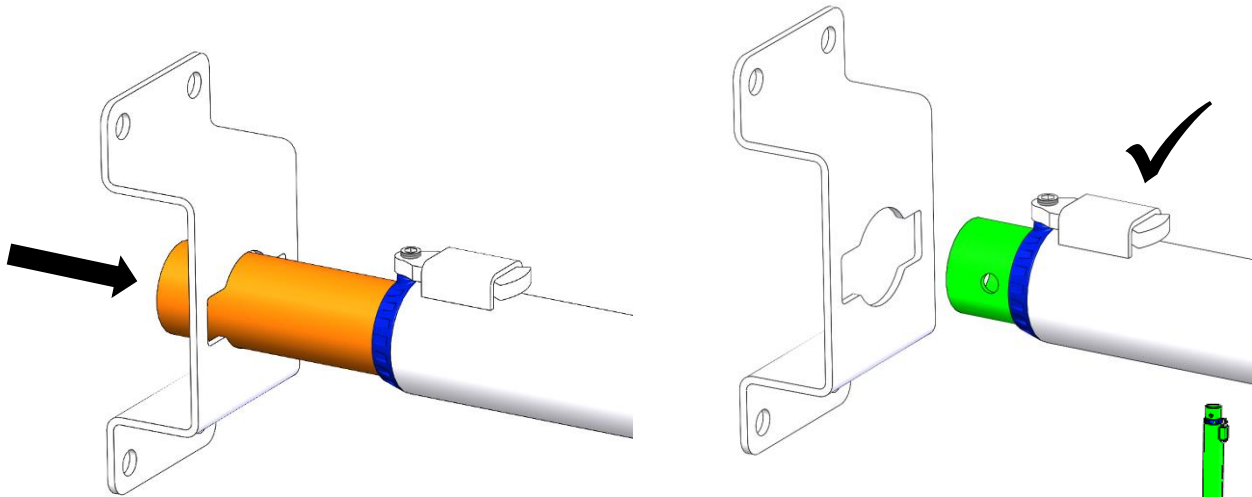
3. Set chosen length by tightening up grub screw.

LIFTING

INSTRUCTIONS

Lift the bungee gate (vertically) to allow passage following these simple steps,

1. By hand, slide $\varnothing 48\text{mm}$ extending tube away from the catch plate – ✓ freeing the gate.



2. Lift the gate - grasping the freed end (end closest to the catch), push to lift - move progressively closer to the fixed post as the gate lifts higher...

- ✓ Guide the gate until it reaches 12 o'clock vertical (not in use).

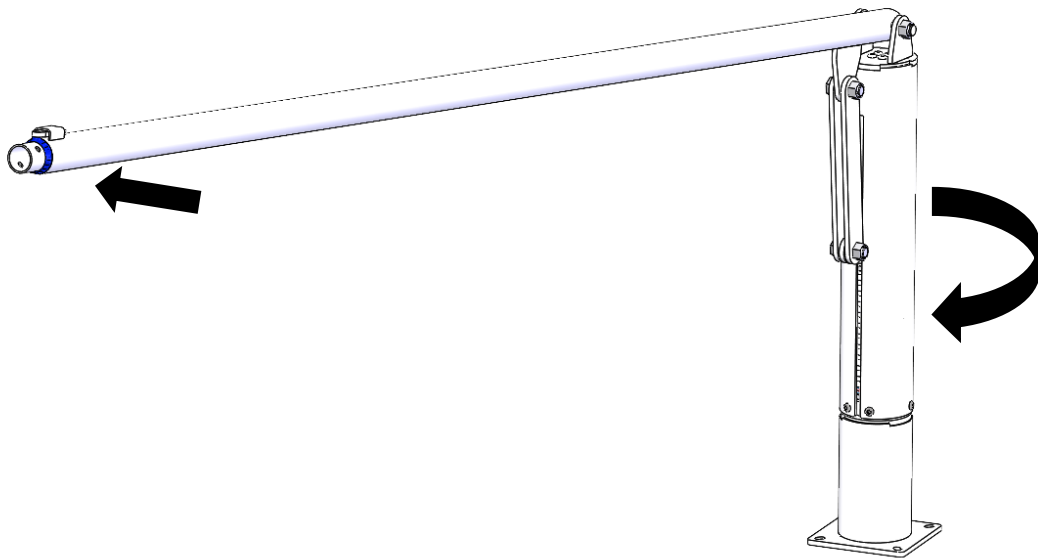


ROTATING

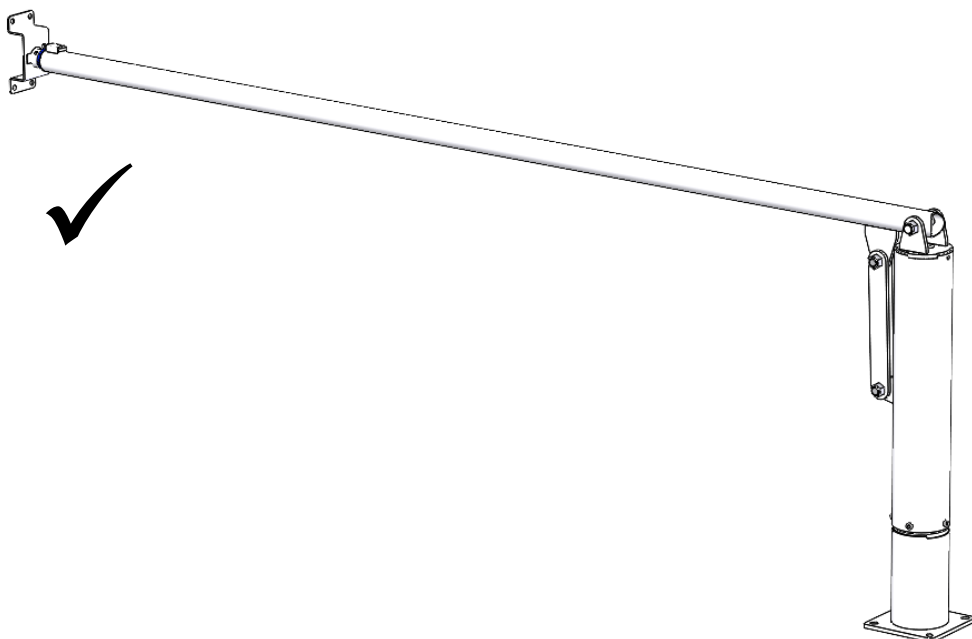
INSTRUCTIONS

Gate designed to rotate 360° allowing the operator to latch the gate in multiple positions
- to rotate the bungee gate,

1. Free the gate, as explained in lifting instructions step 1 on page 4.
2. Hold the gate - grasping the freed end (end closest to the catch) ... move in a circular direction, keeping the gate at waist height all the while.



3. Move from one position to another, locking into the catch plate to finish.



RECOMMENDED MAINTENANCE

REGULAR MAINTENANCE CHECKS TO THE PRODUCT WILL GIVE EARLY WARNING OF ANY PROBLEMS, SUCH AS DAMAGE, CORROSION OR MISSING PARTS AND WILL ENSURE YOUR PRODUCT IS RUNNING SMOOTHLY AND SAFELY.

- General inspection of the entire product.
- Ensure all moving components are free of debris and are functioning correctly.
- Any damage to steelwork (causing exposure of bare metal) should be made good by rubbing down and applying x1 coat of galvanizing coating and x1 of oil-based paint.
- Check all fasteners sets are tight. Ensure all parts are in place before each use.
- Remove any obstructions before extending, lifting, or rotating the bungee gate.
- Simply cleaning down after each use will increase the working life due to the highly corrosive effect of animal's urine and/or faeces.

CONTACT

IAE HEADQUARTERS,
Mossfield Road, Adderley Green,
Stoke-on-Trent, England, ST3 5BW
T: +44 (0)1782 339320 F: +44 (0)1782 339321 E: sales@iae.co.uk
Company Reg number: 01448116 Company VAT number: 319060967