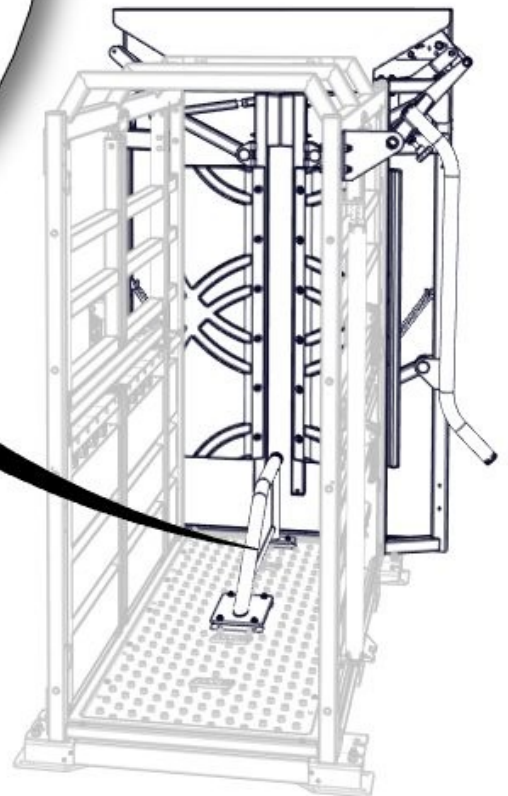
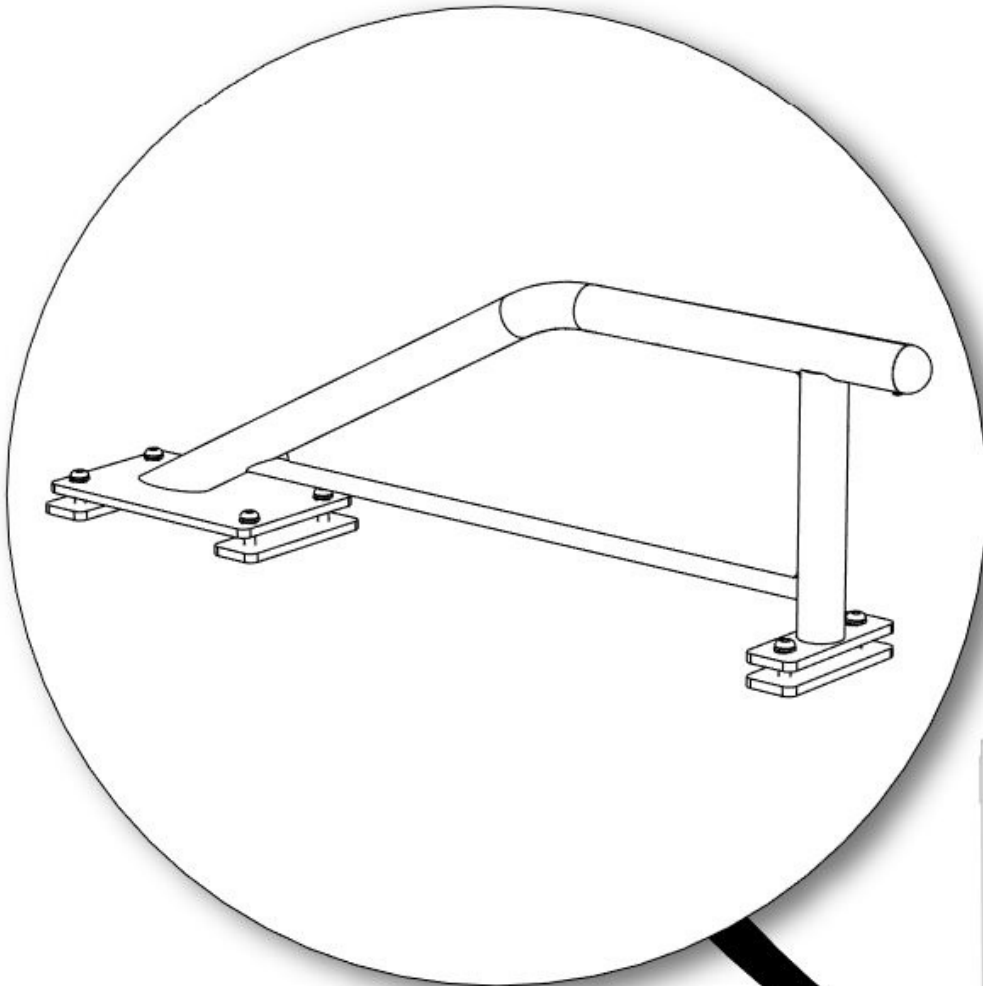




Call: +44 (0)1782 339320 | Email: [sales@iae.co.uk](mailto:sales@iae.co.uk) | Weblink: <https://iae.co.uk/>



## 800 SERIES STERNUM BAR KIT

INSTALLATION, OPERATION & MAINTENANCE

*TECHNICAL DOCUMENT - 1003602-01*

## INTENDED USE

To go inside the crush main body (bolted onto base/rubber mat) as an additional means of restraint, stops the animal from kneeling or attempting to lay down whilst in the chute.

## TECHNICAL DATA

**Item Number:** 1002705-01

**Load:** 1000 Kg Max.

**Weight:** 14 Kg *(not including the crush)*

## COMPATIBLE WITH IAE CRUSHES

- ✓ A800 FULL ACCESS CRUSH - 1002397-01
- ✓ A800 SQUEEZE CRUSH - 1002395-01
- ✓ M800 FULL ACCESS CRUSH - 1002396-01
- ✓ M800 SQUEEZE CRUSH - 1002398-01

## TOOLS REQUIRED FOR ASSEMBLY

ALLEN WRENCH SET

**CAUTION:** *Advisable to remove the sternum bar to perform cattle belly clipping.*

**Not suitable for use with young stock**

# SAFETY INFORMATION

PLEASE TAKE NOTE OF THE FOLLOWING SAFETY PRECAUTIONS BEFORE USE FOR THE WELLBEING OF ALL ANIMALS AND PERSONNEL. ANY HARM OR INJURY WHICH OCCURS FROM THE LACK OF COMPLIANCE WITH THESE HEALTH AND SAFETY MEASURES WILL BE THE RESPONSIBILITY OF THE OPERATOR.

- ❑ **IMPORTANT!** Read these instructions carefully before use and keep them for future reference. The safety of your animals may be affected if you do not follow these instructions in this manual.
- ❑ **WARNING! DANGER TO LIFE AND RISK OF ACCIDENTS FOR INFANTS AND CHILDREN!** Keep children away from the product when in operation.
- ❑ Situate this product on a level, solid surface.
- ❑ **WARNING!** Be careful with hands, fingers and limbs when operating the crush.
- ❑ Personal protection may be required for some stages of installation, and/or operation.
- ❑ **CAUTION!** When handling heavy equipment, some stages of installation may require at least two people.
- ❑ **DO NOT** lean on or exert undue pressure on the product.
- ❑ **CAUTION!** Check posture when lifting/manoeuvring the equipment or associated parts.
- ❑ **ALWAYS** Check the product for damage before each use.
- ❑ **NEVER USE THE PRODUCT IF IT IS DAMAGED.**

If you have any questions or comments regarding the product, we will be glad to hear them either through our website [www.iae.co.uk](http://www.iae.co.uk) or by contacting your local IAE dealership.

**INTRODUCTION**.....

**INTENDED USE** .....Page 2

**TECHNICAL DATA**.....Page 2

**COMPATIBLE WITH IAE CRUSHES**.....Page 2

**TOOLS REQUIRED FOR ASSEMBLY**.....Page 2

**SAFETY INFORMATION**.....Page 3

**PRODUCT PARTS LIST** .....Page 5

**ASSEMBLY** .....Page 6

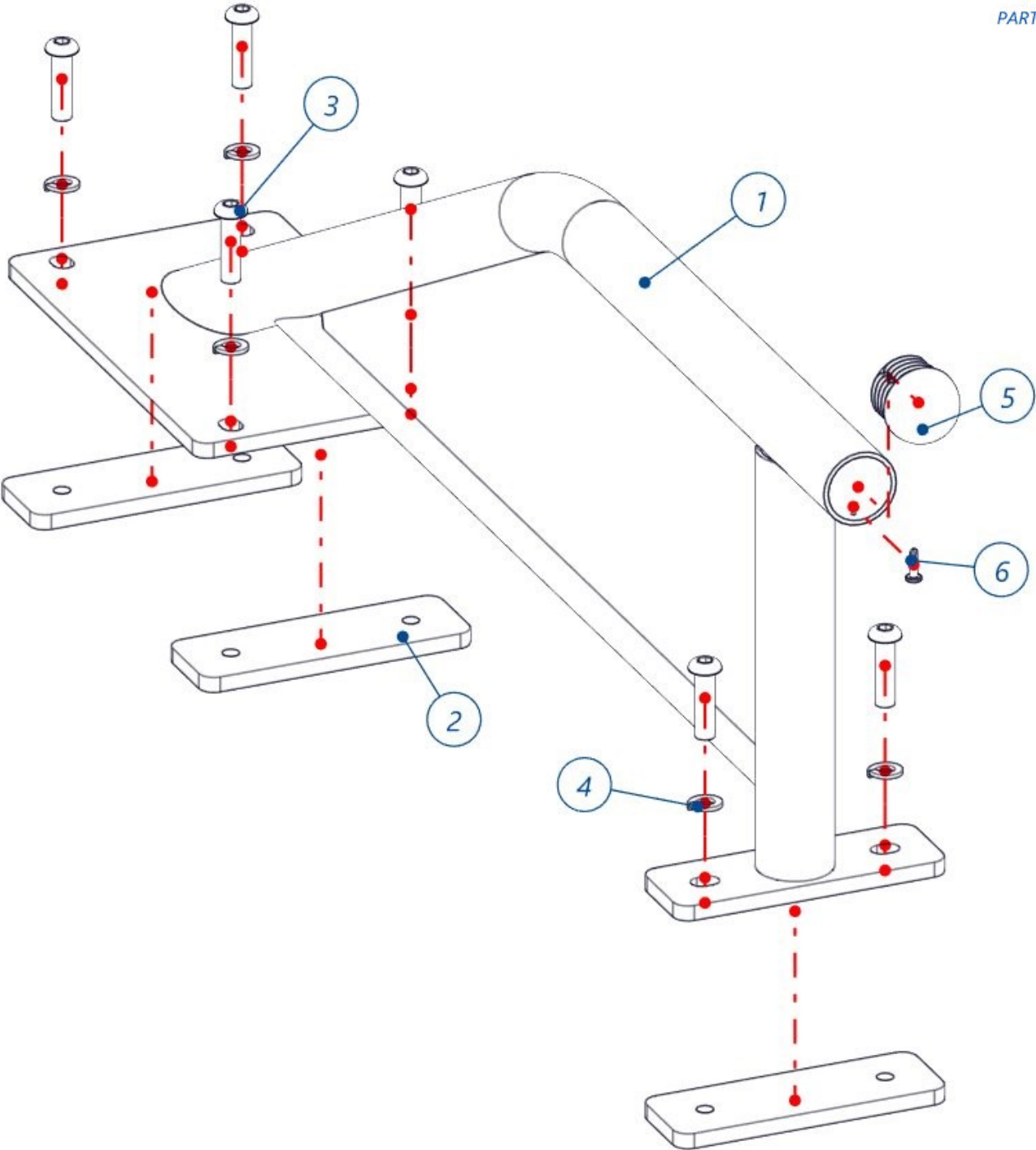
**RECOMMENDED MAINTENANCE**.....Page 7

**CONTACT**.....Page 7

# PRODUCT 1002705-01

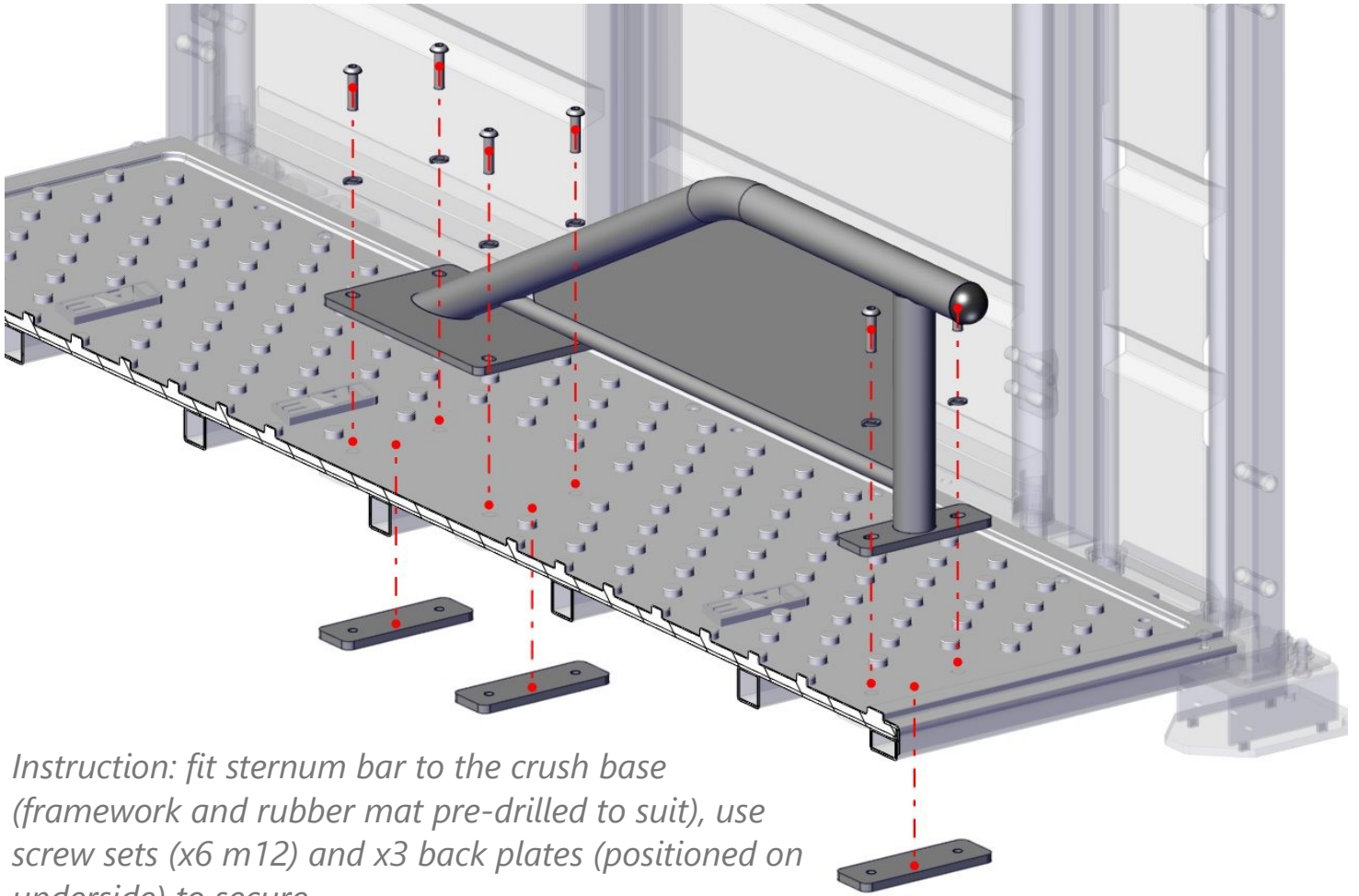


PARTS LIST

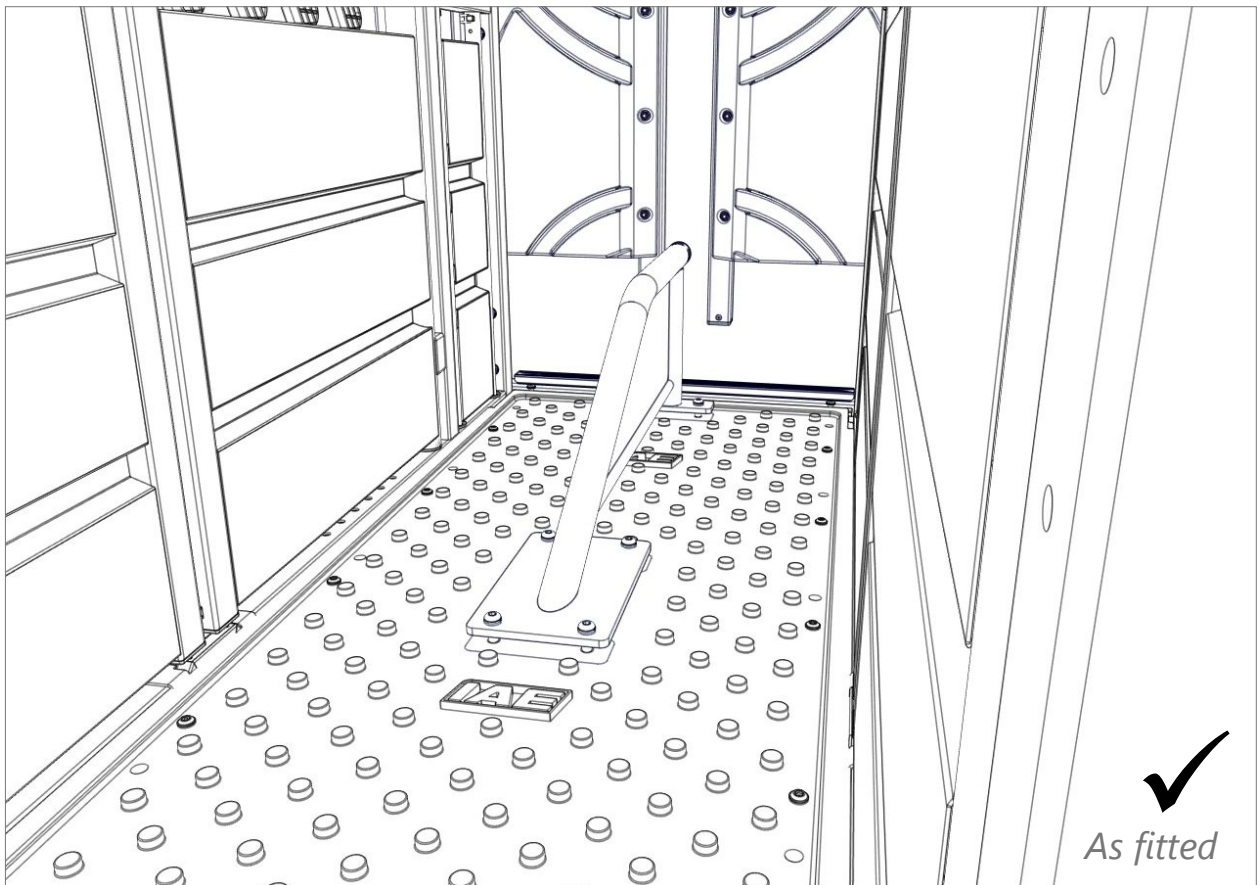


BOM ID	DESCRIPTION	PRODUCT	Qty
1	800 SERIES(B21) STERNUM BAR	1002706	1
2	HR SHT 10 120X60 BACK PLATE	1002713	3
3	M12 X 45 SOCKET BUTTONHEAD SCREW	B029 3120 45	6
4	M12 SPRING WASHER	B041 3302 12	6
5	48.3X1.5-2.5 DOMED BLACK PLASTIC INSERT	B115 0048 15	1
6	5.5X19MM PAN HD (PHILLIPS) DRILL SCREW	B021 3551 19	1

# ASSEMBLY



*Instruction: fit sternum bar to the crush base (framework and rubber mat pre-drilled to suit), use screw sets (x6 m12) and x3 back plates (positioned on underside) to secure.*



## RECOMMENDED MAINTENANCE

REGULAR MAINTENANCE CHECKS TO THE PRODUCT WILL GIVE EARLY WARNING OF ANY PROBLEMS, SUCH AS DAMAGE, CORROSION OR MISSING PARTS...THIS WILL ENSURE YOUR PRODUCT IS RUNNING SMOOTHLY AND SAFELY.

- General inspection of the entire product.
- Ensure all moving components are free of debris and are functioning correctly.
- Any damage to steelwork (causing exposure of bare metal) should be made good by rubbing down and applying x1 coat of galvanizing coating and x1 of oil based paint.
- Check all fasteners sets are tight. Ensure all parts are in place before each use.
- Remove any obstructions
- Simply cleaning down after each use will increase the working life due to the highly corrosive effect of animals urine and/or faeces.

## CONTACT

IAE HEADQUARTERS  
Mossfield Road  
Adderley Green  
Stoke-on-Trent  
England  
ST3 5BW

T: +44 (0)1782 339320

F: +44 (0)1782 339321

E: [sales@iae.co.uk](mailto:sales@iae.co.uk)

Company Reg number: 01448116 Company VAT number: 319060967

*TECHNICAL DOCUMENT NO. 1003602-01*