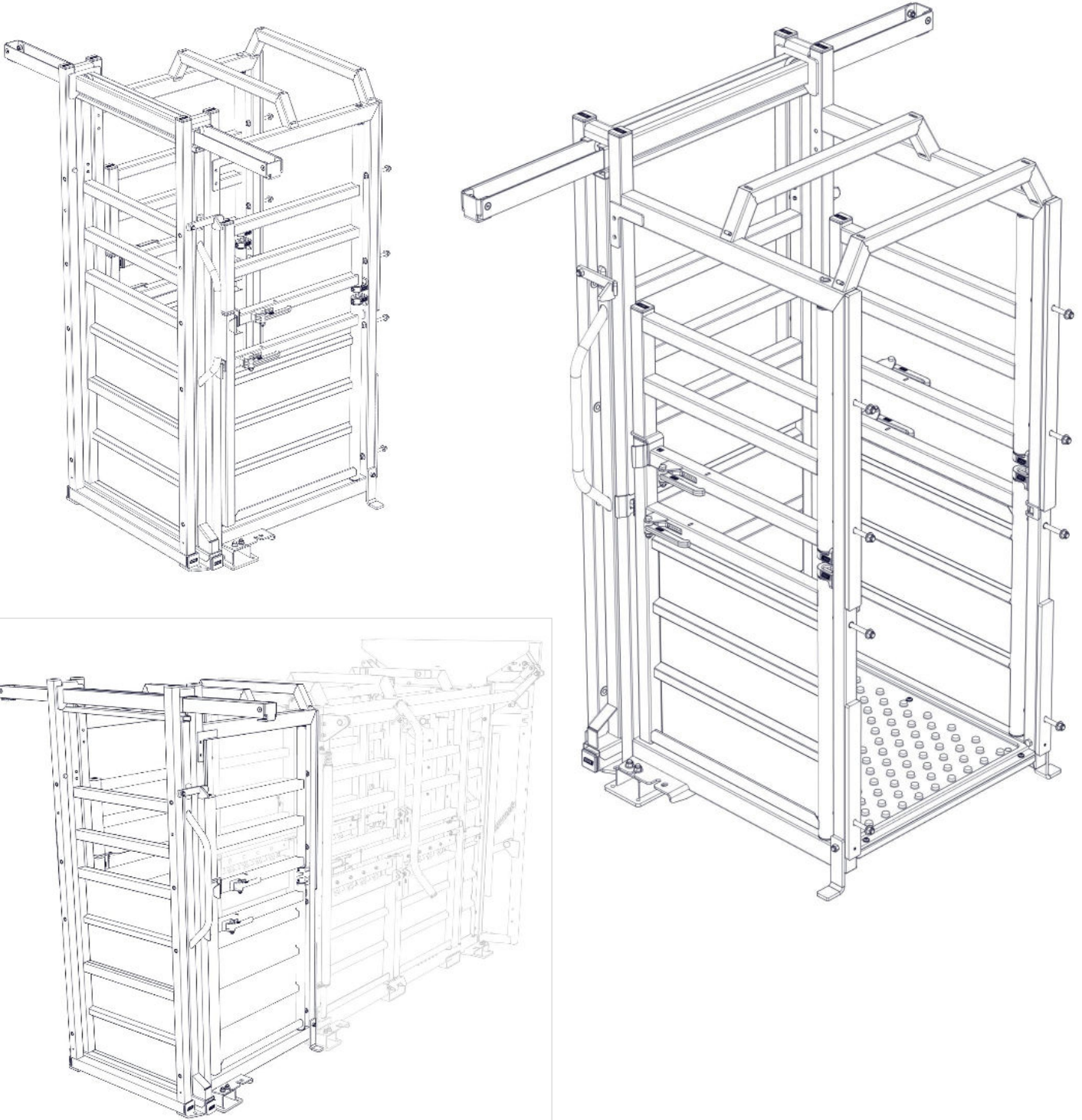




Call: +44 (0)1782 339320 | Email: [sales@iae.co.uk](mailto:sales@iae.co.uk) | Weblink: <https://iae.co.uk/>



## 800 SERIES (B21) CRUSH EXTENSION

INSTALLATION, OPERATION & MAINTENANCE

*TECHNICAL DOCUMENT NO. 1003597-01*

## INTENDED USE

The extension provides a safe working area to the rear of the animal, extending the length of the chute by 1100mm.

Integrated any hand operated sliding gate in frame at rear to prevent the next animal in the race from entering the crush chute and side doors with the capability to swing inwards (access feasible both sides), allowing the operator to close off the area behind the animal to reduce the risk of kicking, both features providing increased safety for the operator/s.

## TECHNICAL DATA

**Item Number:** 1002145-01

**Load:** 1000 Kg Max.

**Weight:** 275 Kg *(not including the crush)*

## COMPATIBLE WITH IAE CRUSHES

- ✓ A800 FULL ACCESS CRUSH - 1002397-01
- ✓ A800 SQUEEZE CRUSH - 1002395-01
- ✓ M800 FULL ACCESS CRUSH - 1002396-01
- ✓ M800 SQUEEZE CRUSH - 1002398-01
- ✓ HOOF TRIMMING KIT - 1002393-01
- ✓ MANYOKE REAR OP' EXTENSION - 1002181-01 - *(extended manual yoke operating handle, allows user to operated from the rear of the extension)*

## TOOLS REQUIRED FOR ASSEMBLY

Adjustable wrench / spanner set

# SAFETY INFORMATION

PLEASE TAKE NOTE OF THE FOLLOWING SAFETY PRECAUTIONS BEFORE USE FOR THE WELLBEING OF ALL ANIMALS AND PERSONNEL. ANY HARM OR INJURY WHICH OCCURS FROM THE LACK OF COMPLIANCE WITH THESE HEALTH AND SAFETY MEASURES WILL BE THE RESPONSIBILITY OF THE OPERATOR.

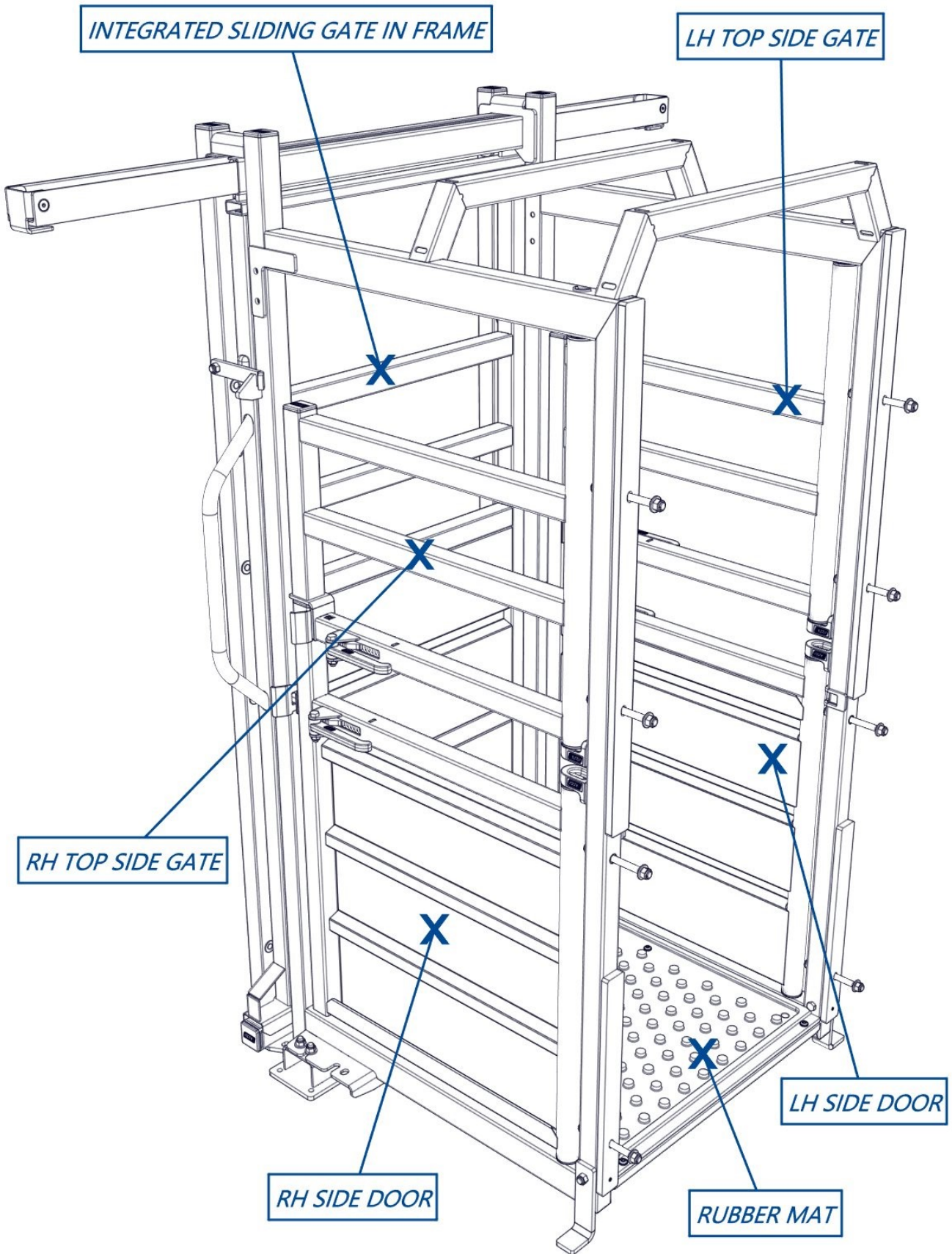
- ❑ **IMPORTANT!** Read these instructions carefully before use and keep them for future reference. The safety of your animals may be affected if you do not follow these instructions in this manual.
- ❑ **WARNING! DANGER TO LIFE AND RISK OF ACCIDENTS FOR INFANTS AND CHILDREN!** Keep children away from the product when in operation.
- ❑ Situate this product on a level, solid surface.
- ❑ **WARNING!** Be careful with hands, fingers and limbs when operating the crush.
- ❑ Personal protection may be required for some stages of installation, and/or operation.
- ❑ **CAUTION!** When handling heavy equipment, some stages of installation may require at least two people.
- ❑ **DO NOT** lean on or exert undue pressure on the product.
- ❑ **CAUTION!** Check posture when lifting/manoeuvring the equipment or associated parts.
- ❑ **ALWAYS** Check the product for damage before each use.
- ❑ **NEVER USE THE PRODUCT IF IT IS DAMAGED.**

If you have any questions or comments regarding the product, we will be glad to hear them either through our website [www.iae.co.uk](http://www.iae.co.uk) or by contacting your local IAE dealership.

<b>INTRODUCTION</b> .....	
<b>INTENDED USE</b> .....	Page 2
<b>TECHNICAL DATA</b> .....	Page 2
<b>COMPATIBLE WITH IAE CRUSHES</b> .....	Page 2
<b>SAFETY INFORMATION</b> .....	Page 3
<b>PRODUCT KEY FEATURES</b> .....	Page 5
<b>ASSEMBLY</b> .....	Page 6
<b>OPERATING SLIDING GATE</b> .....	Page 7
<b>OPERATING SIDE DOORS</b> .....	Page 8
<b>RECOMMENDED MAINTENANCE</b> .....	Page 9
<b>CONTACT</b> .....	Page 9



## PRODUCT 1002145-01 KEY FEATURES



**Note:** Side door operating,  
Lower and upper leaf to be operated cooperatively swinging outward, option to progressively swing inwards (lower leaf to close first).

# ASSEMBLY

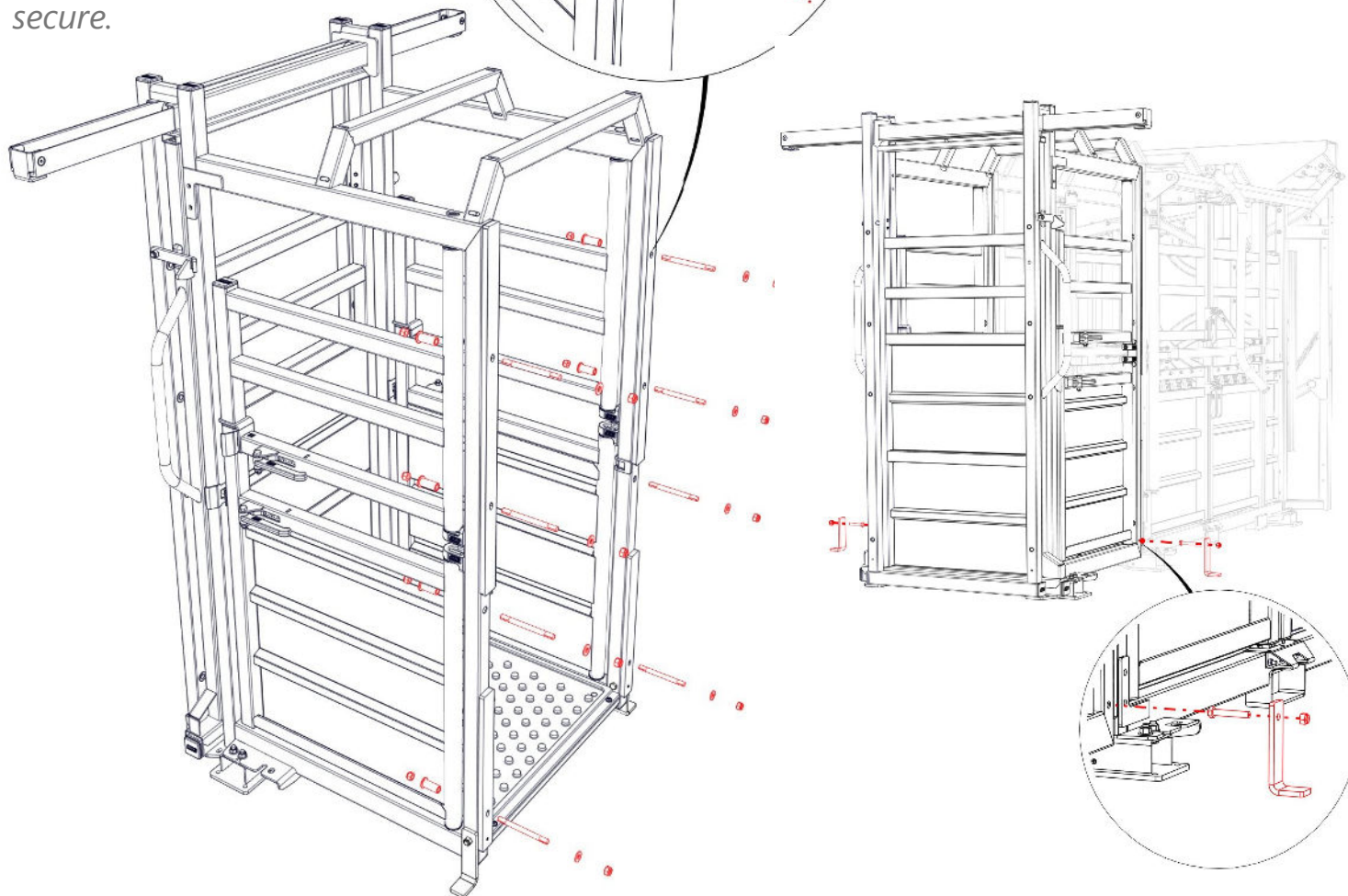
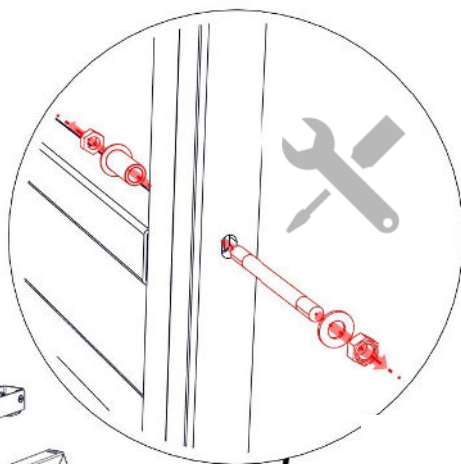
1

Before placing, undo x8 bolt sets attached to extension.

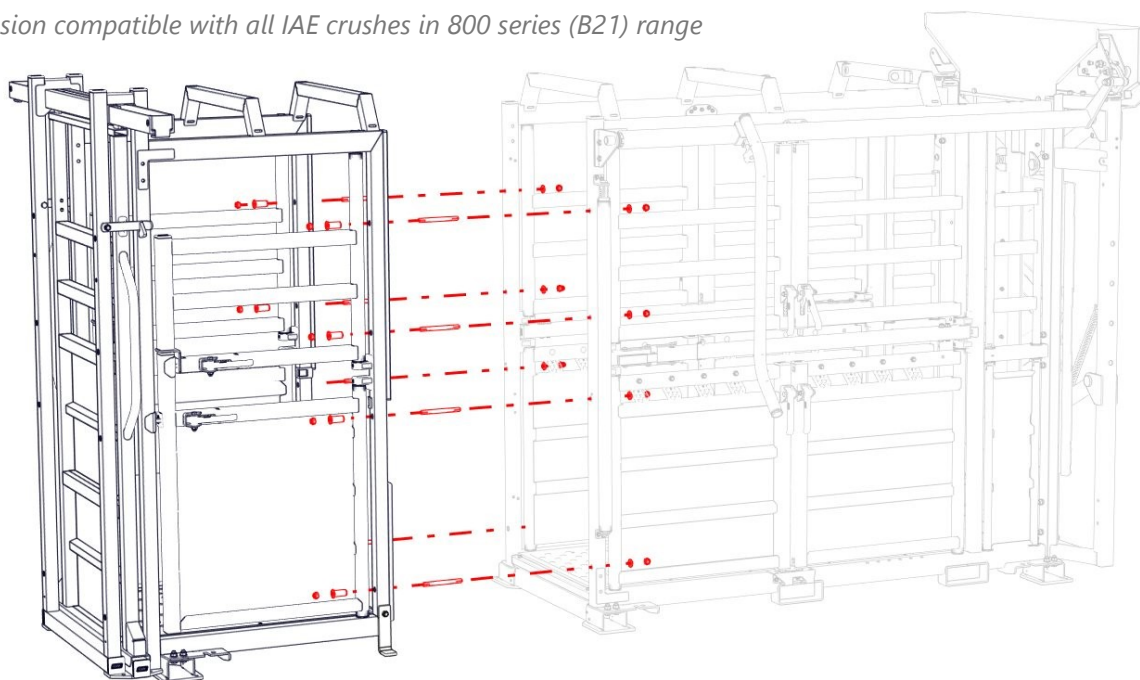
2

Fit crush extension to the main body framework (at rear), use all bolt sets (x8) to secure.

**CAUTION:** L-shaped brackets fastened to extension for stabilizing in transport must be removed before placing, if left attached will clash with the crush main body ground fixing points.



Crush extension compatible with all IAE crushes in 800 series (B21) range





# OPERATING SLIDING GATE

**CAUTION:** Do not allow an animal to enter the chute until the animal in previously has exited fully,

Allow sufficient space around the entire crush body + crush extension for operating safely,

Keep fingers and limbs well clear of any moving parts.

**Note:** sliding gate in frame can be operated any hand.

1

Lift pendulum catch to release the sliding gate

the operator must pull handle to activate opening of the sliding gate.

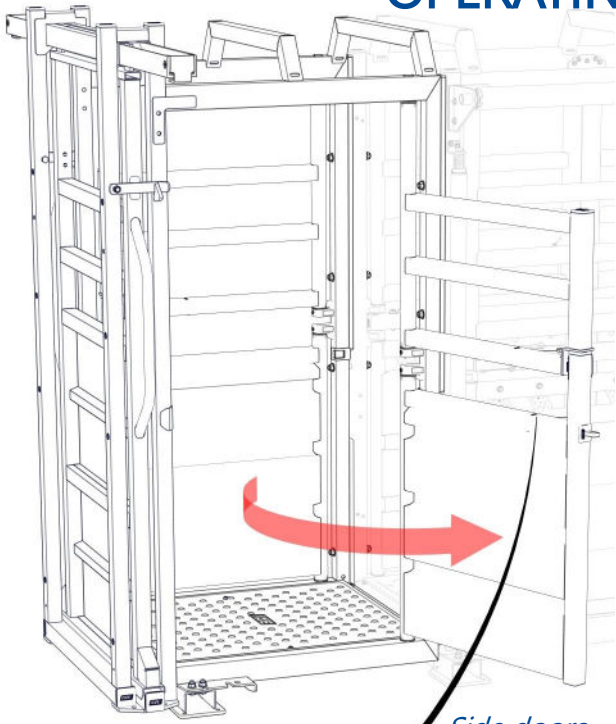
2

Allow animal to enter the chute, at the point when its body is positioned entirely inside the chute, the operator must push the sliding gate (holding the handle) to activate the closing of the gate.

**CAUTION:** Ensure pendulum catch is lowered to secure sliding gate in place.



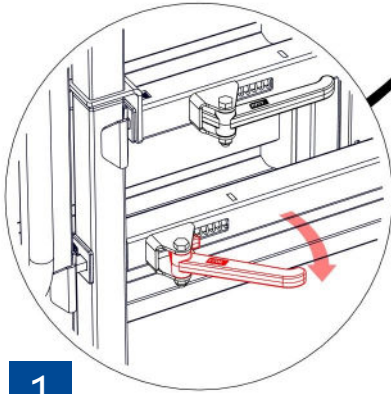
# OPERATING SIDE DOORS



*Side doors opening out*



*Lower door inward, closing off extension area, to create safe space for operator/s*



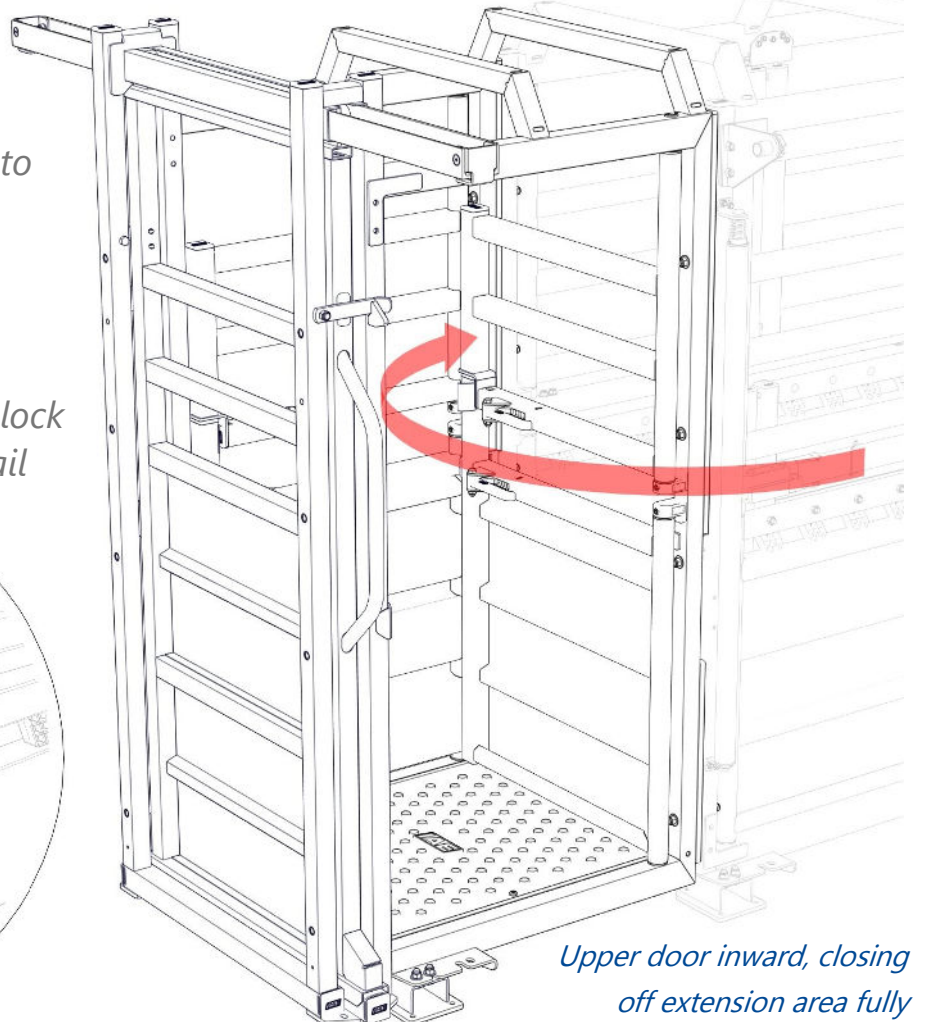
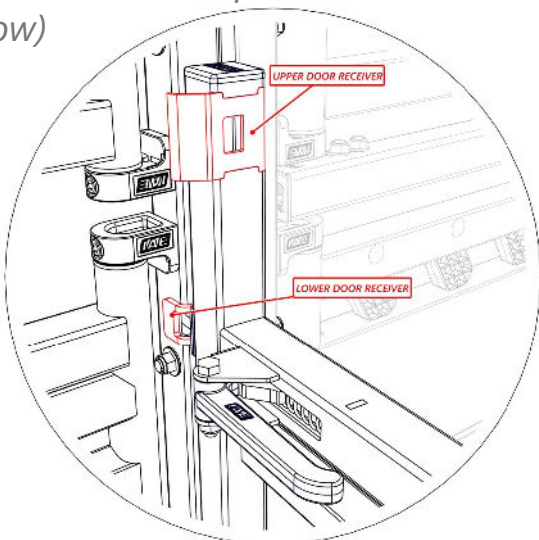
**CAUTION: DO NOT ENTER THE AREA INSIDE THE EXTENSION UNTIL YOU ARE CERTAIN THE ANIMAL IS FULLY SECURED**

**1**

*Pull lower door bolt pivot handle to release both doors (operating cooperatively opening outwards).*

**2**

*Close doors inwards individually, lock bolts into receiver plates (see detail below)*



*Upper door inward, closing off extension area fully*



## RECOMMENDED MAINTENANCE

REGULAR MAINTENANCE CHECKS TO THE PRODUCT WILL GIVE EARLY WARNING OF ANY PROBLEMS, SUCH AS DAMAGE, CORROSION OR MISSING PARTS AND WILL ENSURE YOUR PRODUCT IS RUNNING SMOOTHLY AND SAFELY.

- General inspection of the entire product.
- Ensure all moving components are free of debris and are functioning correctly.
- Any damage to steelwork (causing exposure of bare metal) should be made good by rubbing down and applying x1 coat of galvanizing coating and x1 of oil based paint.
- Check all fasteners sets are tight. Ensure all parts are in place before each use.
- Remove any obstructions
- Lubricate all moving parts, in particular latches and cog systems
- Simply cleaning down after each use will increase the working life due to the highly corrosive effect of animals urine and/or faeces.

## CONTACT

IAE HEADQUARTERS  
Mossfield Road  
Adderley Green  
Stoke-on-Trent  
England  
ST3 5BW

T: +44 (0)1782 339320

F: +44 (0)1782 339321

E: [sales@iae.co.uk](mailto:sales@iae.co.uk)

Company Reg number: 01448116 Company VAT number: 319060967

*TECHNICAL DOCUMENT NO. 1003597-01*