

# Guillotine Gate Rope & Pulley Kit

## Installation Guide for product F051 2809 06

Technical document no. J000 0030 61

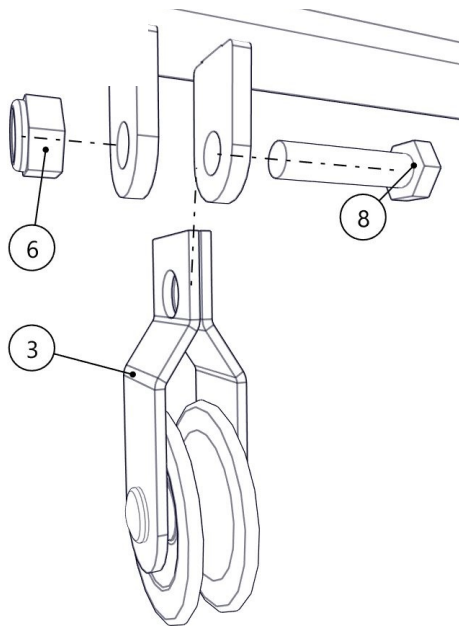


### Parts list & descriptions:

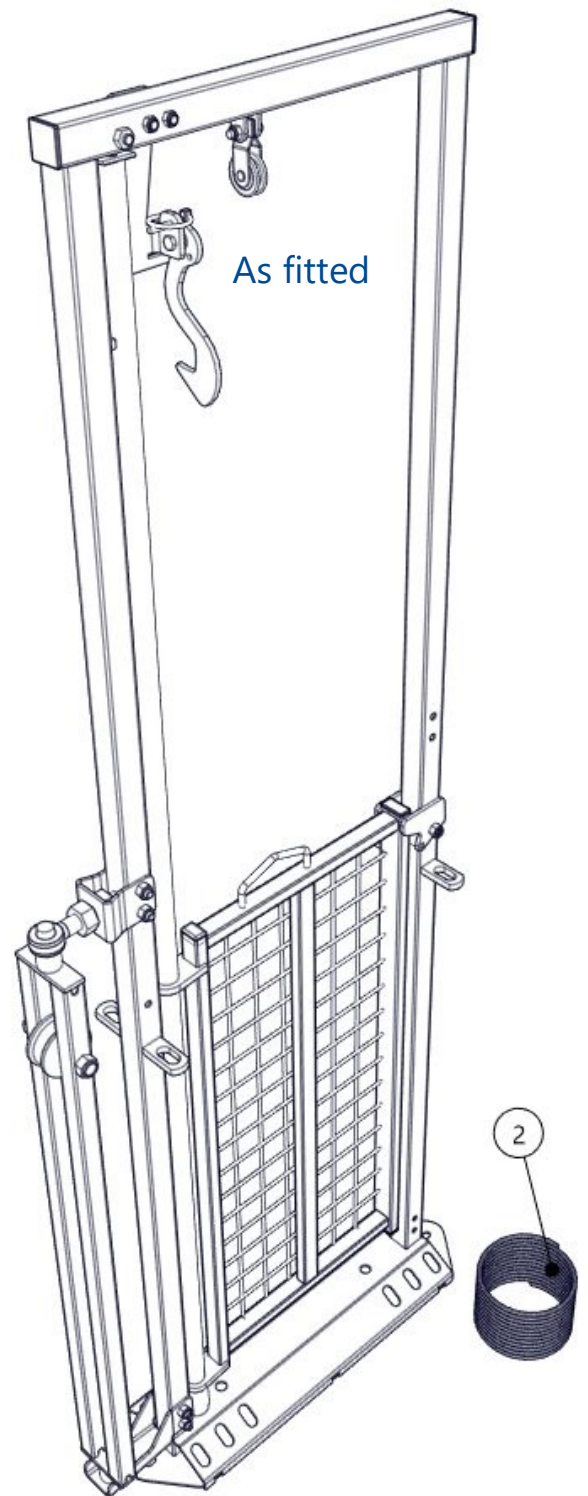
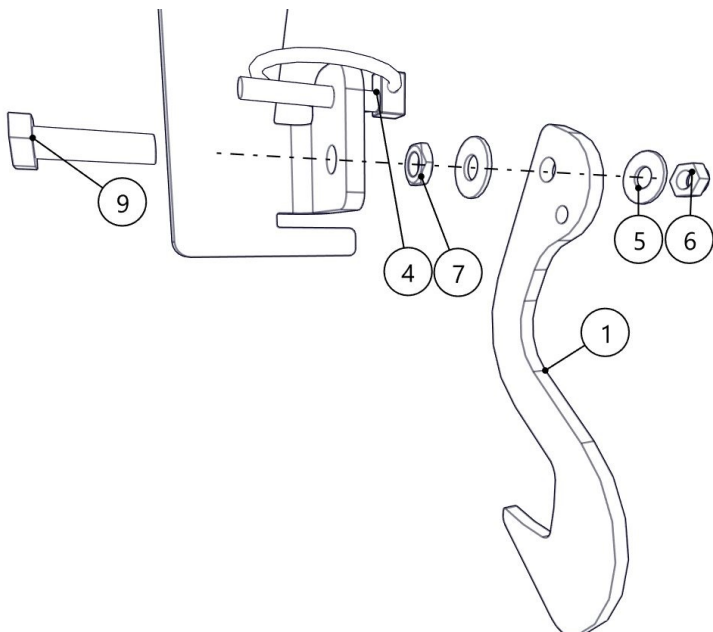
ID	DESCRIPTION	PRODUCT	Qty
1	Guillotine pawl	D051 2000 24	1
2	12000L 6mm blue poly rope	C011 0013 17	1
3	1 7/8" pulley	B116 1001 51	1
4	1 3/4 X 1/4in lynch pin & ring	B113 0604 44	1
5	M8 washer	B041 2006 08	2
6	M8 full nyloc nut	B040 2002 08	2
7	M8 half nut	B040 2000 08	1
8	M8 x 35 setscrew	B001 2080 35	1
9	M8 x 30 setscrew	B001 2080 30	1

### Assembly:

#### 1 Fit pulley



#### 2 Fit pawl



#### 3 Fit rope,

Thread the rope through the pulley and tie one end to the gate lifting loop.