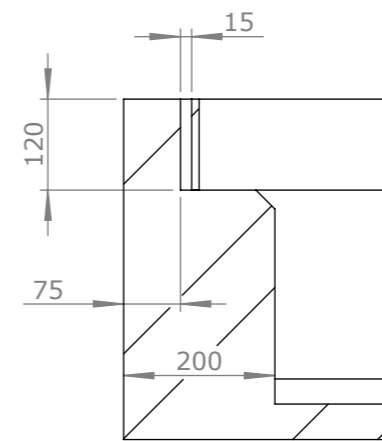
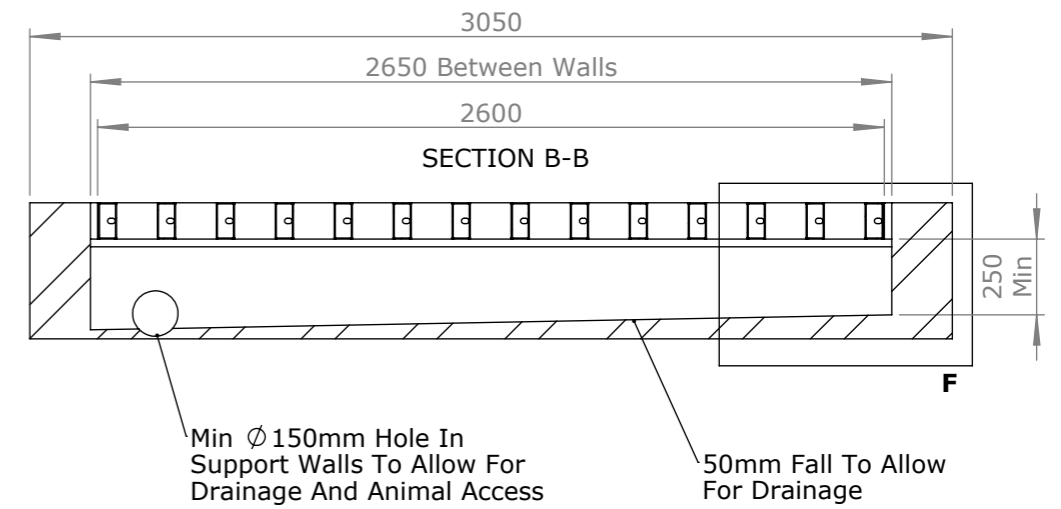
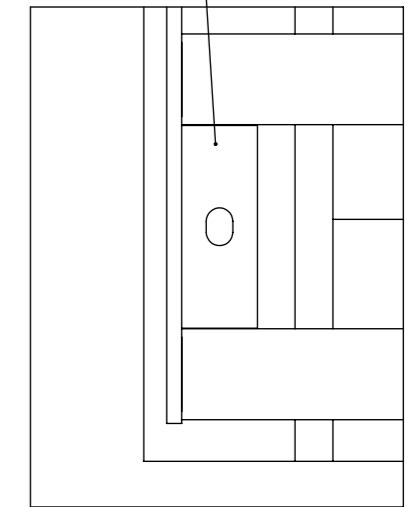


Cattle Grid Is Fabricated In 2(no) Sections For Bolting Together

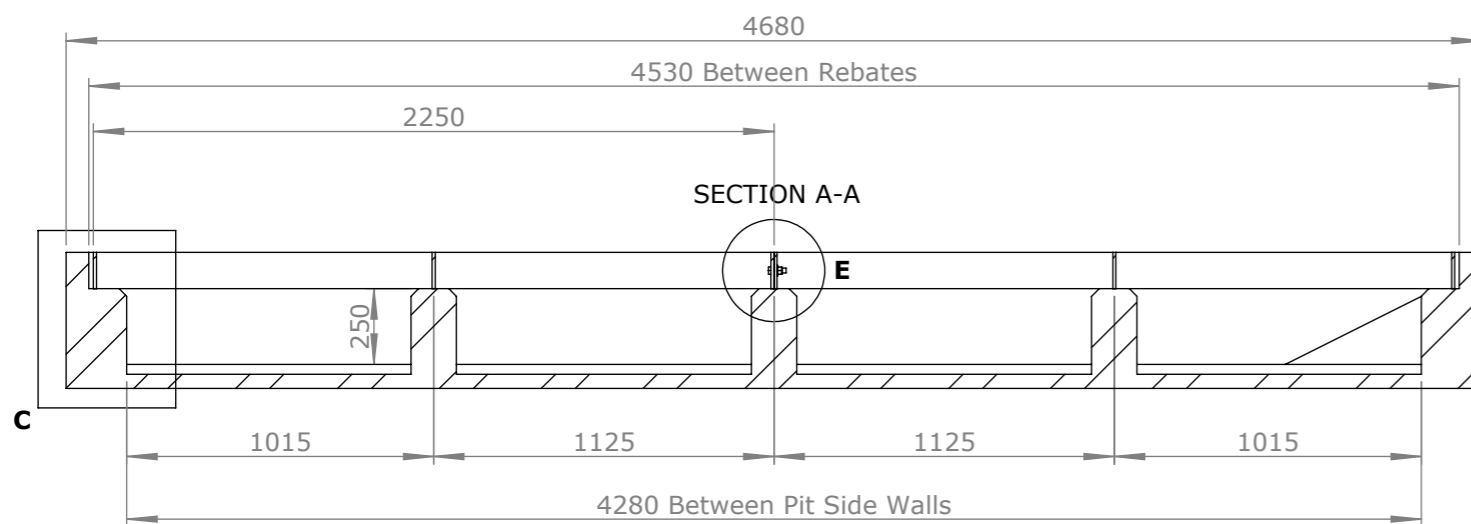


DETAIL C
SCALE 1 : 10

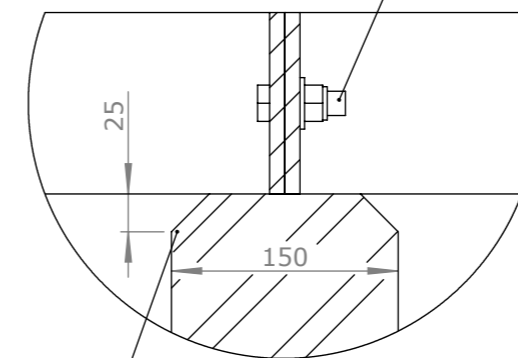
Slotted Corner Plates For Bolting Down If Required



DETAIL D
SCALE 1 : 5

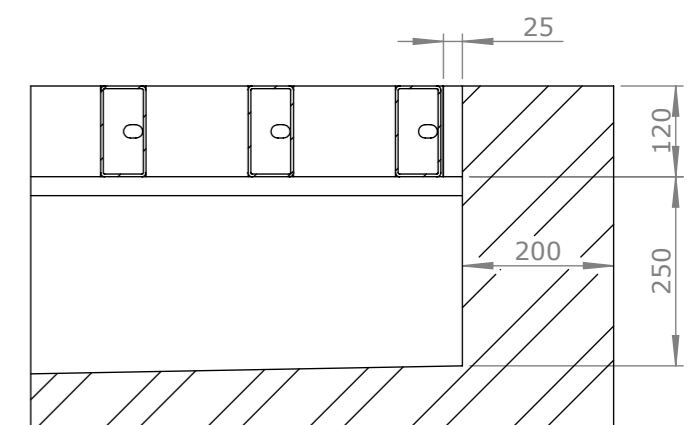


Fix Sections Together:
Using M16x50 Bolts,
Washer And Nyloc Nuts



Chamfer Top Of Support Walls

DETAIL E
SCALE 1 : 5



DETAIL F
SCALE 1 : 10

~ PLEASE NOTE ~

Guard Fencing Needs To Be Erected On Either Side Of The Cattle Grid To Prevent Encroachment By Animals And Also To Position Vehicles Correctly On The Approach To The Grid.