



## **Installation guide for rubber floorings of Huber Technik Vertriebs GmbH**

### **General:**

The assembly of rubber covering may not be done at a temperature below 10 degrees Celsius.

The ground on which the rolls are applied, has to be flat, firm, clean and dry.

At least 48 hours before installation, the rubber rolls have to be rolled out on the installation surface at room temperature. If this is not possible, the rolls must be stored at room temperature for at least 7 days.

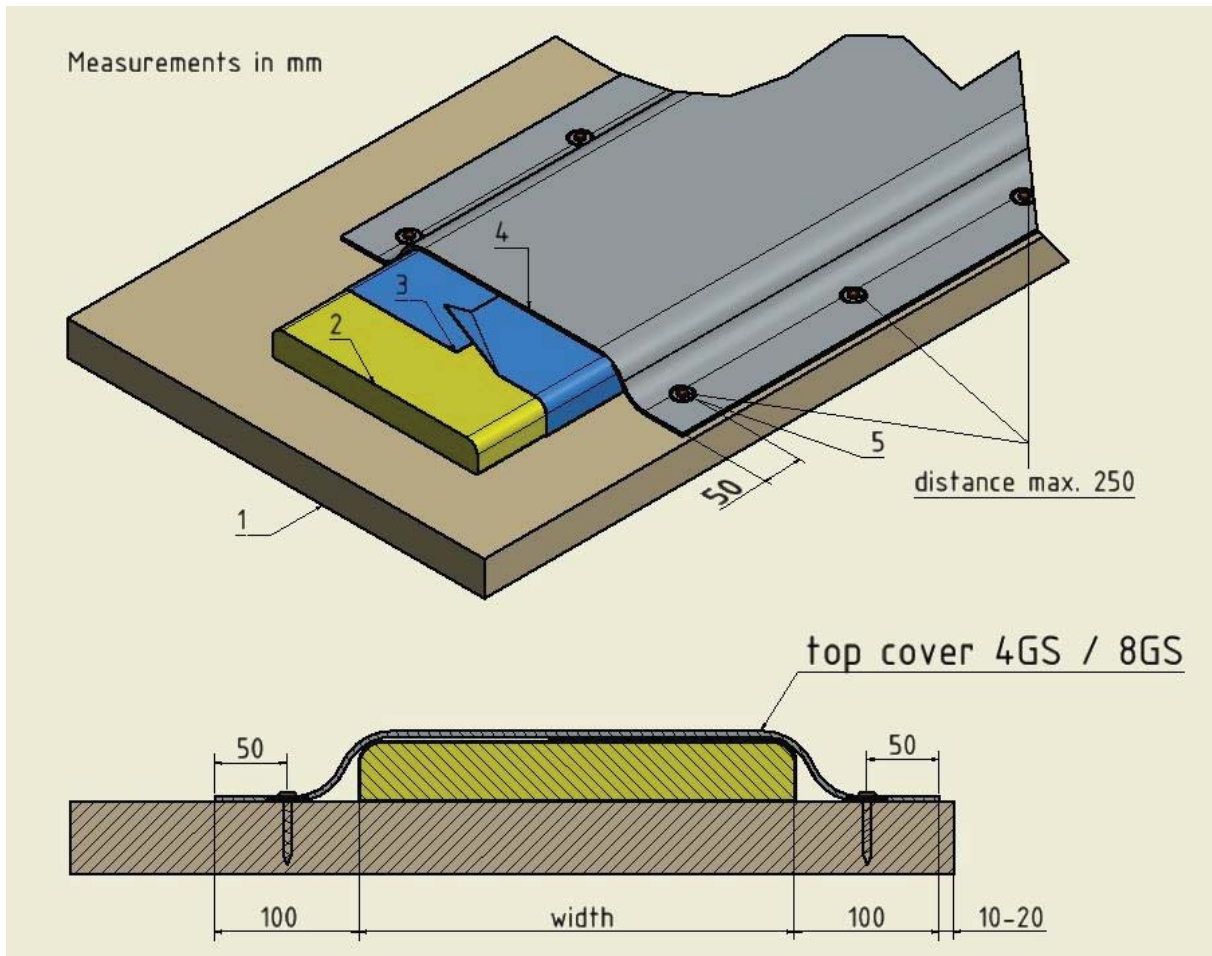
### **Soft bed system with cover sheet 4GS/8GS**

**Composite foam:** Foam plates have to be fully packed into a plastic foil before they are laid on the ground. Minimum thickness of the foil is 100  $\mu$ .

**Installation:** The cover sheet must be indented 10-20 mm.

**Mounting:** Fix cover sheet on transverse side every 200 mm. Prestress cover sheet 1 – 1.5 % and fasten with washer in the back and in the front max. every 250 mm. Do not wrap too strong → it must not cause any tension, the mat must not bulge!

**Litter:** Use sufficient and suitable material such as chopped straw, substrate...



*Legend: 1 Concrete, 2 Composite foam, 3 Plastic foil, 4 Cover sheet 4GS/8GS, 5 Mounting*

### Care and maintenance guide:

Rubber surfaces must be cleaned regularly.

The detergent must not attack the rubber covering.

The rubber surface must be kept dry with suitable litter.