



LoadBar

User Manual

PUBLISHED BY
Gallagher Group Limited
Kahikatea Drive, Private Bag 3026
Hamilton, New Zealand

Copyright© Gallagher Group Limited 2004.
All rights reserved. Patents Pending.

Load Bar User Manual

3E1045 - Edition 12 - March 2014

DISCLAIMER Whilst every effort has been made to ensure accuracy, neither Gallagher Group Limited nor any employee of the company, shall be liable on any ground whatsoever to any party in respect of decisions or actions they may make as a result of using this information.

In accordance with the Gallagher policy of continuing development, design and specifications are subject to change without notice.

Developed and manufactured by Gallagher Group Limited, an ISO 9001:2000 Certified Supplier.

Contents

Introduction.....	1
Selecting a location	2
Locating the Scale.....	2
Locating the load bars	3
Install the load bars.....	4
Care and maintenance	6
Specifications.....	7
Gallagher load bar sets.....	7
Cables	7
Environmental.....	7
Dimensions - Standard load bars	8
Dimensions - Heavy Duty load bars	9
Dimensions - Super Heavy Duty load bars	10
Contact details	11

INTRODUCTION

Thank you for purchasing a Gallagher load bar set. Gallagher have been making agricultural weighing equipment for over 60 years and in that time have earned a reputation for quality equipment that withstands tough agricultural conditions.

The Gallagher range of weighing systems is simple, tough, innovative and reliable.

All of the Scales in the Gallagher range can be matched to a choice of load bar systems, as well as a range of platforms and crates to make an accurate and reliable weighing system.

Although designed specifically for agriculture, the Gallagher range is also suited to many industrial applications.

Gallagher WeighScale and Loadbars are not certified for trade use.

SELECTING A LOCATION

Careful preparation of the site is essential if accurate weighing is to result. You need to decide where both the Scale and load bars will be set up.

The maximum distance separating the load bars and Scale will be determined by the length of the load bar cables. Chose a route for the cables that ensures they will not be subjected to mechanical damage.

Important:

This product is **not** suitable for use in harsh or corrosive environments (e.g. piggery installations or similar).

Locating the Scale

Keep the following points in mind when choosing a place for the Scale.

- Do not mount the Scale on the crate.
- Ensure the Scale and it's operator do not interfere with the flow of animals.
- Ensure that there is adequate light to read the Scale's screen.
- If you expect to weigh manually, keep the Scale close enough to the crate so that the crate's barrier controls can be easily reached.

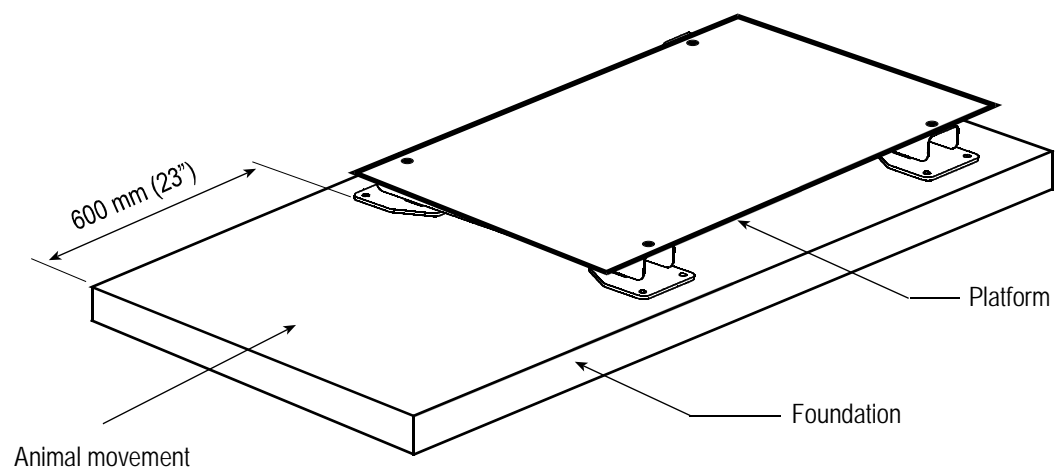
Locating the load bars

Keep the following points in mind when choosing a place for the load bars.

- Mount the load bars and platform clear of obstructions such as fence posts.
- The site must be level.
- Provide a foundation. A concrete pad is recommended. Load bars can be mounted on a heavy board.

Hint: Construct the foundation so that it extends at least 600 mm (23 inches) before the platform. This will force the animals to step onto the foundation before moving on to the weighing platform and will reduce the amount of dirt, mud, etc, carried onto the platform.

- Don't recess the load bars into troughs in the foundation. The troughs are likely to fill with water and mud.



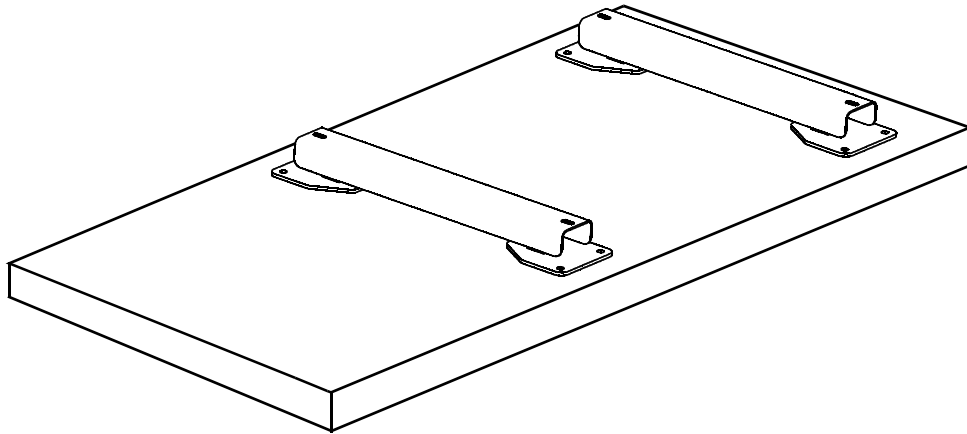
Mounting the load bars on an uneven surface or failing to adequately secure the platform may result in weighing errors.

INSTALL THE LOAD BARS

Note:

Do not use an arc welder on either the platform or the load bars. Use of an arc welder may damage the load cells.

1. Position the load bars on the foundation to suit the platform or crate. The load bars should be located as close as possible to the ends of the platform or crate.

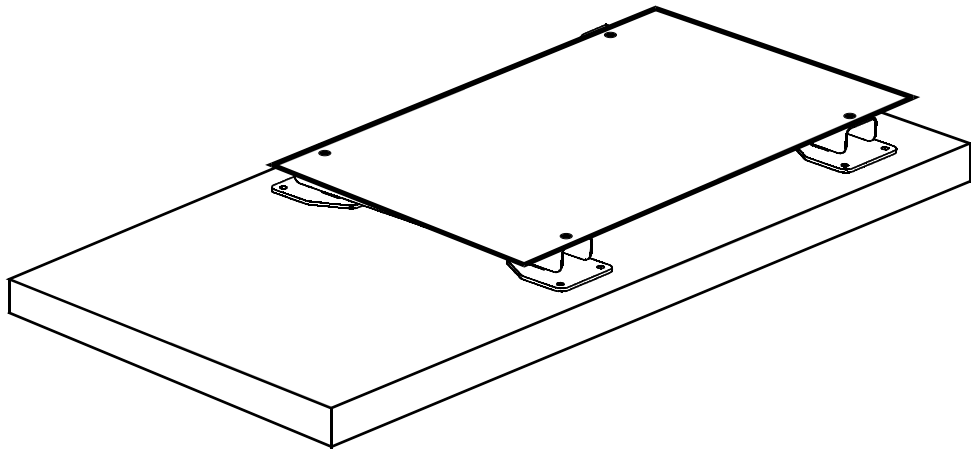


2. Ensure that the load bar feet sit flat on the board or concrete pad.
3. It is recommended that the load bars are secured to the foundation. To secure the load bars, follow these steps.
 - Mark the load bar feet holes on the foundation.
 - Drill and fit fasteners to suit the type of foundation. Dynabolts can be used with concrete foundations; bolts, nuts and washers can be used with board foundations.
 - Tighten the fasteners to secure the load bars to the foundation.

Note:

Ensure that the load bar chassis does not twist or distort as the fasteners are tightened. If the load bar feet do not sit flat on the foundation, grout the surface to suit.

4. Attach the crate or platform to the load bars using the fasteners supplied.



CARE AND MAINTENANCE

Gallagher load bars are designed for use in a livestock environment and are therefore tough and reliable. However, proper care and maintenance can extend their life.

Note: This product is **not** suitable for use in harsh or corrosive environments (e.g. piggery installations or similar).

Below is a list of tips and guidelines for maintaining load bars.

- Although Gallagher load bars are waterproof, it is recommended that they are not submerged in water.
- Cables should be positioned so they will not be stepped on or crushed. Run the cables through a duct to prevent damage.
- To prevent dust or moisture from entering the cables, replace the dust caps immediately after the load bar plugs are disconnected from the Scale,
- Any load bars with damaged cables should be returned to a Gallagher Service Centre for repair. Split or damaged cables can affect the performance of the load bars. If emergency repairs need to be carried out, the damaged cable should be wrapped with insulating tape.
- The platform and load bars should be cleaned up after use. Hose off all dirt, mud, etc, to prevent corrosion.
- If the load bars are not permanently installed, they should be stored in a dry place.

Hint: Cut the top off a large plastic container, e.g. drench container. Nail the container upside down (i.e. with the opening at the bottom) in the race. When the load bar cables are not in use, they can be coiled up and hung on a nail inside the container.

Important:

When cleaning the load bars, do **not** direct a water blaster in the load cell area.

SPECIFICATIONS

Gallagher load bar sets

The following specifications apply to a set of two load bars.

2000 kg load bar set (Standard)	
Support surface length:	600 mm (23.62 inches); or 1000 mm (39.37 inches)
Overall length:	660 mm (25.98 inches); or 1060 mm (41.73 inches)
Weight (including cables)	17 kg (38 lb)
Capacity:	2000 kg (4400 lb)

3500 kg load bar set (Heavy Duty)	
Support surface length	1000 mm (39.37 inches)
Overall length	1060 mm (41.73 inches)
Weight (including cables)	55 kg (122 lb)
Capacity:	3500 kg (7700 lb)

4500 kg load bar set (Super Heavy Duty)	
Support surface length:	1000 mm (39.37 inches)
Overall length:	1060 mm (41.73 inches)
Weight (including cables)	80 kg (177 lb)
Capacity:	4500 kg (9900 lb)

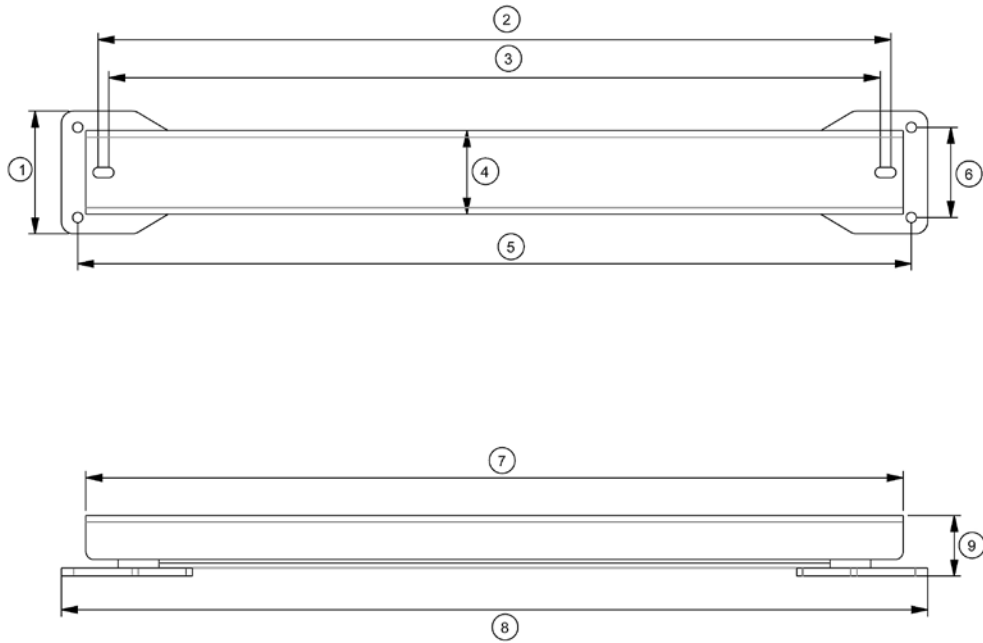
Cables

Length: 6 m (19.6 feet)

Environmental

Operating temperature:	-20 to 50°C -4 to 122°F
------------------------	----------------------------

Dimensions - Standard load bars

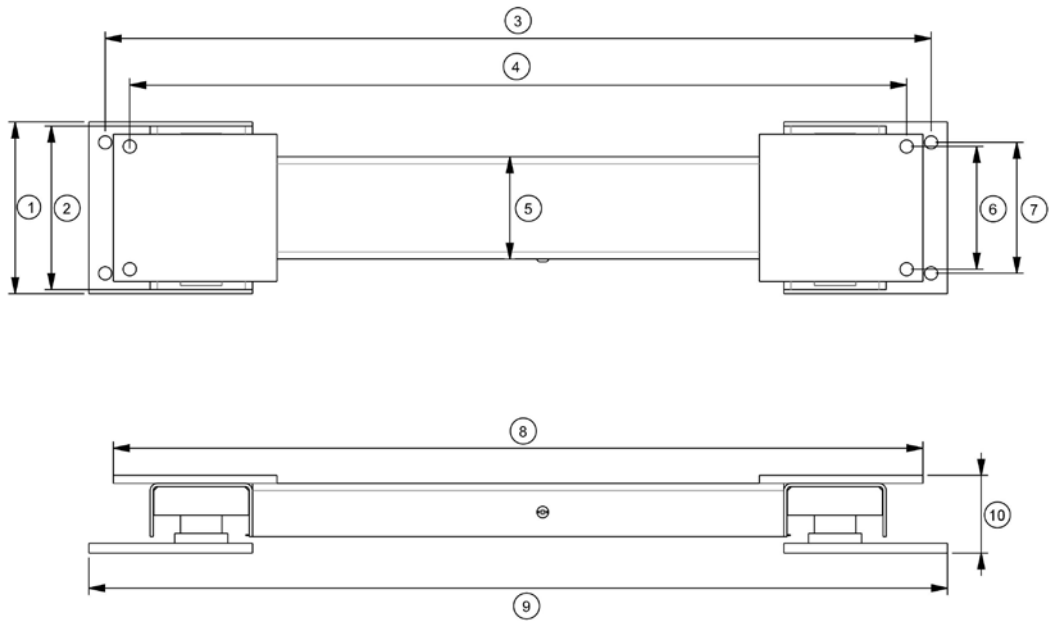


**600 mm (23-
inch)
load bar**

**1000 mm (39-inch)
load bar**

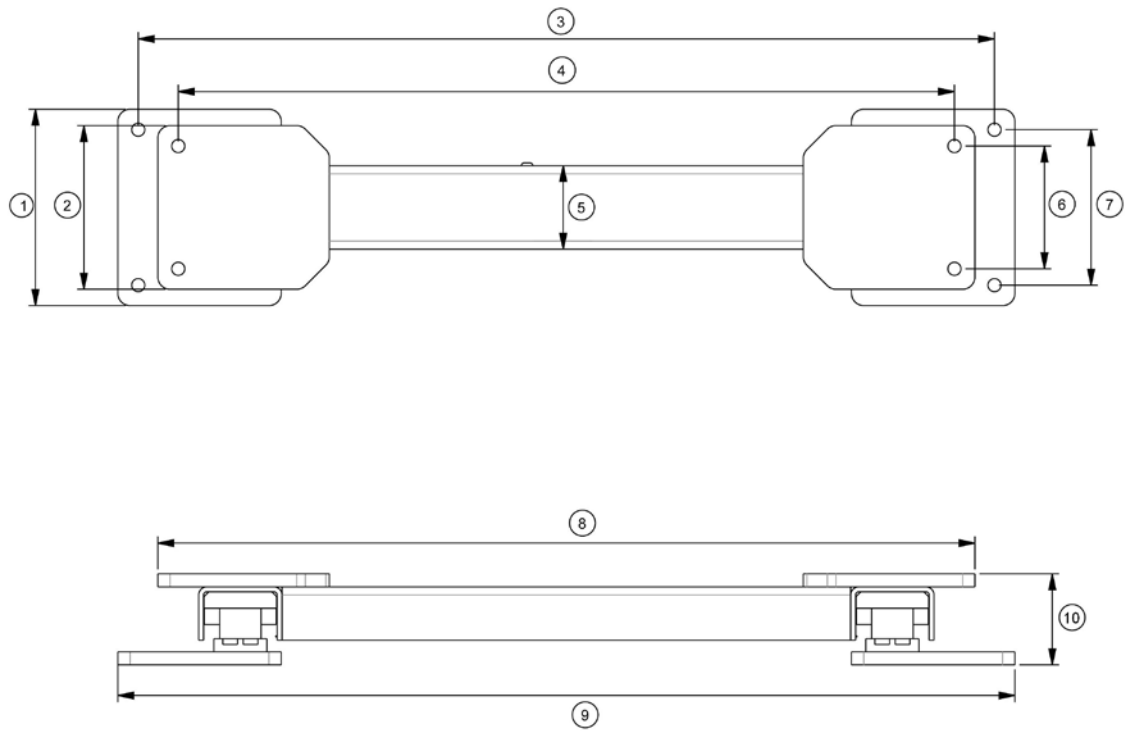
Key	(mm)	(inches)	(mm)	(inches)
1	150	5.91	150	5.91
2	570	22.44	970	38.19
3	544	21.42	944	37.17
4	102	4.02	102	4.02
5	620	24.41	1020	40.16
6	110	4.33	110	4.33
7	600	23.62	1000	39.37
8	660	25.98	1060	41.73
9	75	2.95	75	2.95

Dimensions - Heavy Duty load bars



Key	(mm)	(inches)
1	210	8.27
2	200	7.87
3	1010	39.76
4	950	37.4
5	102	4.02
6	150	5.91
7	160	6.3
8	990	38.98
9	1050	41.34
10	95.1	3.74

Dimensions - Super Heavy Duty load bars



Key	(mm)	(inches)
1	240	9.45
2	200	7.87
3	1048	41.26
4	950	37.4
5	102	4.02
6	150	5.91
7	190	7.48
8	1000	39.37
9	1098	43.23
10	111.3	4.38

CONTACT DETAILS

The Gallagher range of products is distributed by the following companies:

NEW ZEALAND

Gallagher Group Ltd,
181 Kahikatea Drive,
Private Bag 3026
Hamilton 3240

IRELAND

Gallagher Power Fence Systems
(IRL) Ltd,
Kinsale Road,
Cork

SOUTH AFRICA

Rudd Products,
Bush Willows, 24 Begonia Road,
Kyalami, Johannesburg,
Gauteng, 1684

EUROPE

Gallagher Europe Bv,
Hekum 9, 9774 TH, Adorp (Gn),
Netherlands

UNITED KINGDOM

Gallagher Power Fence™ (UK) Ltd,
Unit 5, Eastboro Fields,
Hemdale Business Park,
Attleborough,
Nuneaton CV11 6GL.

NORTHERN IRELAND

Sam Nelson & Son,
16 Lower Ballinderry Road,
Upper Ballinderry,
Lisburn, Co. Antrim BT28 2JB.

USA/ CANADA

Gallagher USA Inc,
130 W 23rd Avenue,
North Kansas City,
MO 64116 Missouri

AUSTRALIA

Gallagher Australia Pty Ltd,
14 Somerton Park Drive,
Campbellfield,
Melbourne, Victoria, 3061

