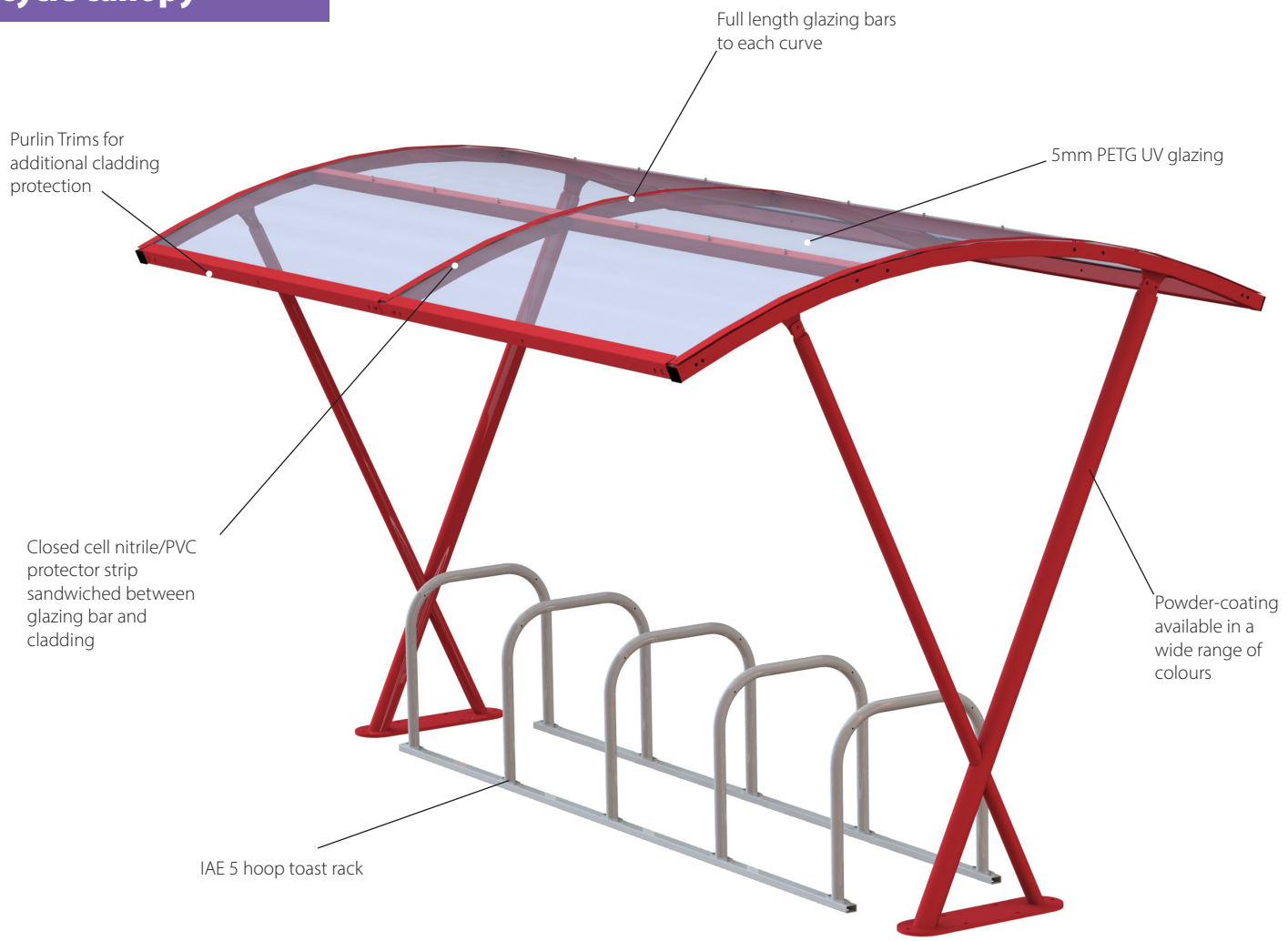


# Banbury

## 10 cycle canopy

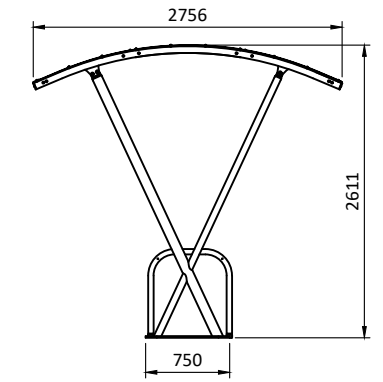
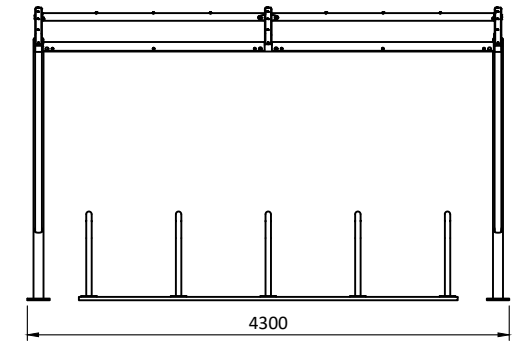
### PRODUCT INFORMATION



### Single Banbury Specification

#### SINGLE UNIT

Capacity	10 Cycles
Dimensions	4100L x 2700W x 2200H



#### Features:

- » 5mm UV resistant PETG roof panels
- » IAE 5-Hoop toast rack supplied as standard
- » Robust tubular cross frame
- » Stainless steel fixings to all structural joints
- » Hot dip galvanized to BS EN ISO 1461

#### Options:

- » Powder-coating available in a wide range of colours
- » Inline extensions available in 4-meter sections

TEL: 01782 339320  
 shelters@iae.co.uk  
 www.iae.co.uk

