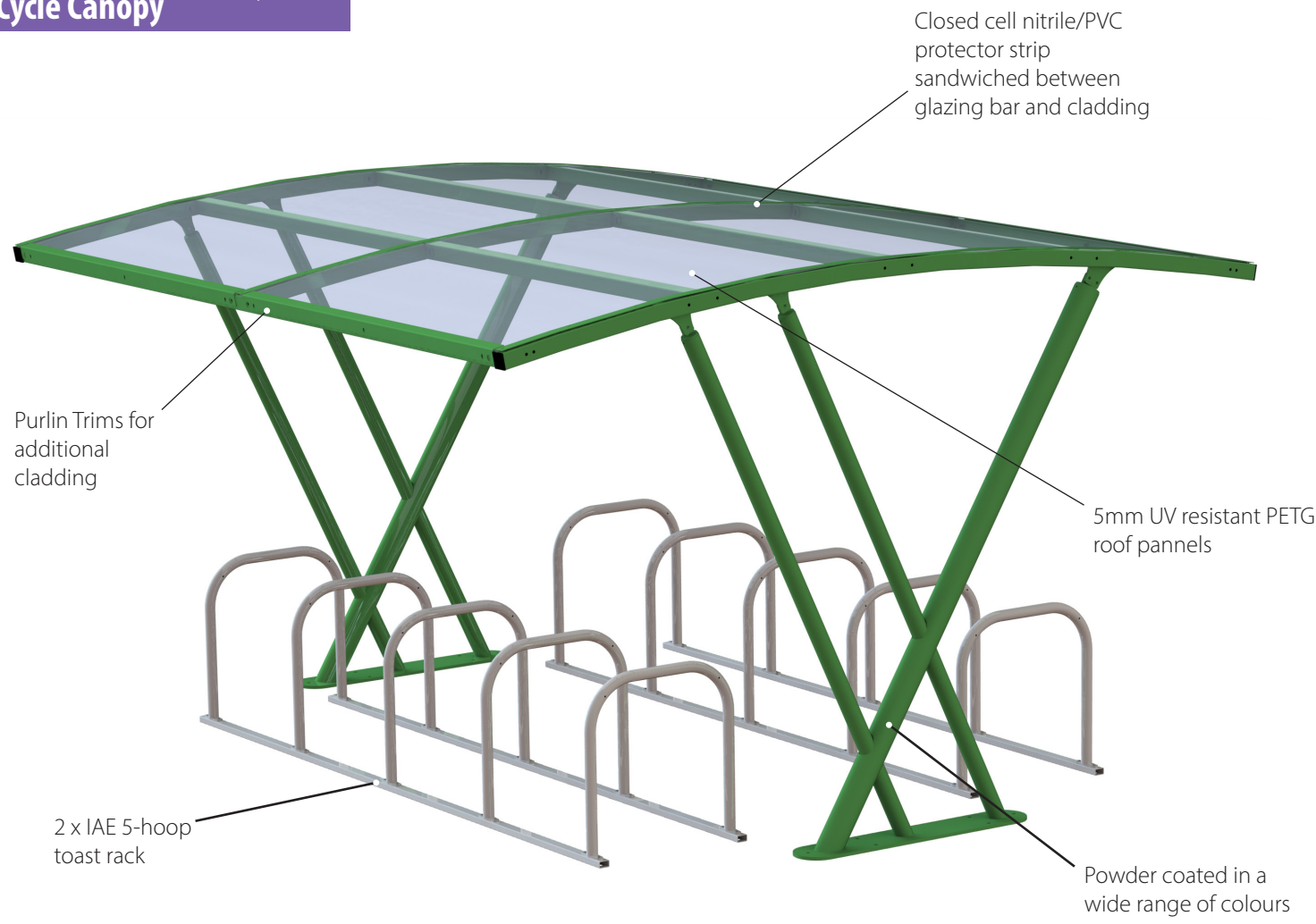


Banbury^{XL}

20 Cycle Canopy

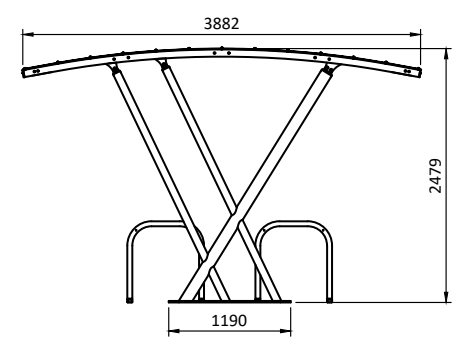
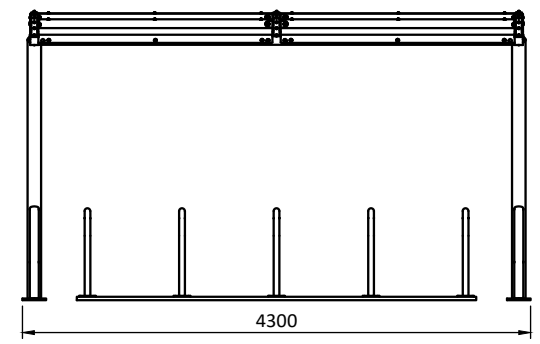
PRODUCT INFORMATION



Double Banbury Specification

SINGLE UNIT

| | |
|------------|-----------------------|
| Capacity | 20 Cycles |
| Dimensions | 4100L x 3870W x 2200H |



Features:

- » 5mm UV resistant PETG roof panels.
- » 2 x IAE 5-Hoop toast rack supplied as standard
- » Robust welded tubular cross frame
- » Stainless steel fixings to all structural joints
- » Hot dip galvanized to BS EN ISO 1461

Options:

- » Powder-coating available in a wide range of colours
- » Inline extensions available in 4-meter sections

TEL: 01782 339320
shelters@iae.co.uk
www.iae.co.uk

