

Size - 100mm x 100mm

Fits Square/'H' - Up to 100mm x 100mm

Fits Round Column - Up to 100mm Diameter

Overall Size - 1000mm x 390mm x 435mm (at widest pt.)

Specification

Height: 1000mm x 390mm x 435mm.

Weight: 10kg

Material: Linear low density polyethylene (LLPE).



IAE PlasProtek™ column protectors provide excellent impact protection for columns and girders. Manufactured from a highly flexible, tough polyethylene, they are light and easy to handle. No fixings are required for installation, a velcro strap secures the protectors making assembly quick and keeping labour costs down.

TEL: 01782 339320

FAX: 01782 339323

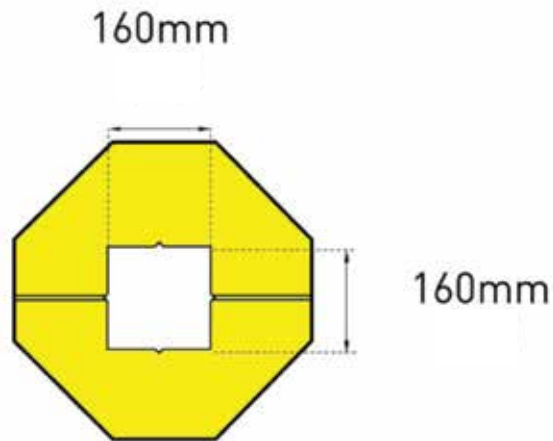
fencing@iae.co.uk

www.iae.co.uk



Features:

- ▶ Air pressure release to cushion impact
- ▶ Assemble in seconds
- ▶ Fits range of column sizes and shapes
- ▶ High visibility
- ▶ UV stabilised



Size - 150mm x 150mm

Fits Square/'H' - Up to 150mm

Fits Round Column - Up To 150mm Diameter

Overall Size - 1000mm x 390mm x 435mm (at widest pt.)

Specification

Height: 1000mm x 390mm x 435mm.

Weight: 10kg

Material: Linear low density polyethylene (LLPE).



IAE PlasProtek™ column protectors provide excellent impact protection for columns and girders. Manufactured from a highly flexible, tough polyethylene, they are light and easy to handle. No fixings are required for installation, a velcro strap secures the protectors making assembly quick and keeping labour costs down.

TEL: 01782 339320

FAX: 01782 339323

fencing@iae.co.uk

www.iae.co.uk



Features:

- ▶ Air pressure release to cushion impact
- ▶ Assemble in seconds
- ▶ Fits range of column sizes and shapes
- ▶ High visibility
- ▶ UV stabilised