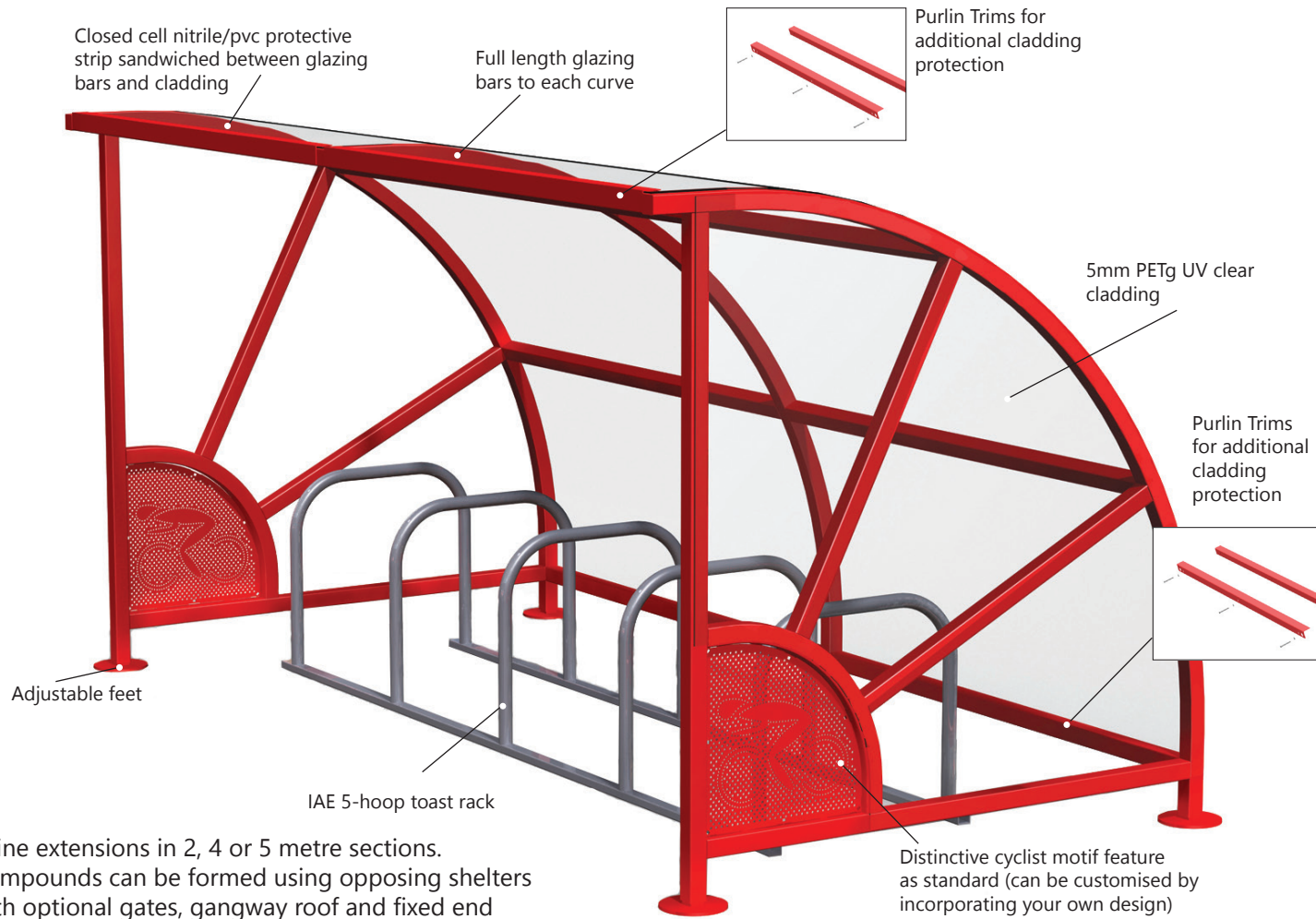


Circo 90

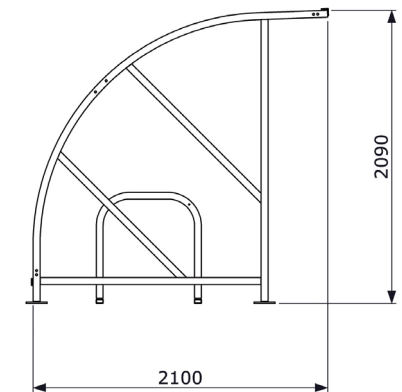
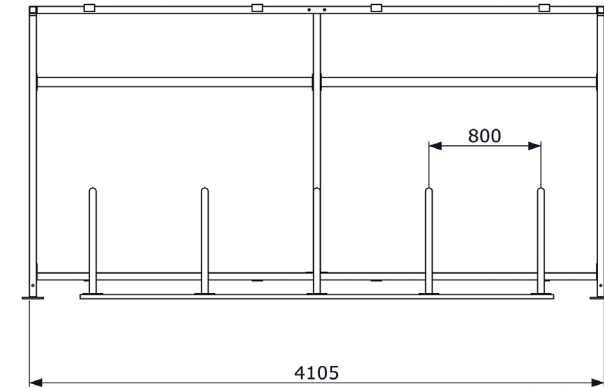
PRODUCT INFORMATION



Inline extensions in 2, 4 or 5 metre sections. Compounds can be formed using opposing shelters with optional gates, gangway roof and fixed end panels.

Circo 90 Specification SINGLE UNIT

Capacity	10 Cycles
Dimensions	4100L x 2145W x 2165H
Capacity	12 Cycles
Dimensions	5000L x 2145W x 2165H



Features:

- ▶ Modular system
- ▶ Available from stock
- ▶ Adjustable feet
- ▶ 5mm PETg UV
- ▶ End glazing as standard
- ▶ Heavy duty steel frame
- ▶ Hot Dip Galvanised to BS EN ISO 1461

Options:

- ▶ Polyester Powder Coating
- ▶ Customisable hub design
- ▶ Integral helmet lockers
- ▶ Integral cycle hoops
- ▶ Integral motorcycle locking rail

TEL: 01782 339320
 FAX: 01782 339323
shelters@iae.co.uk
www.iae.co.uk

