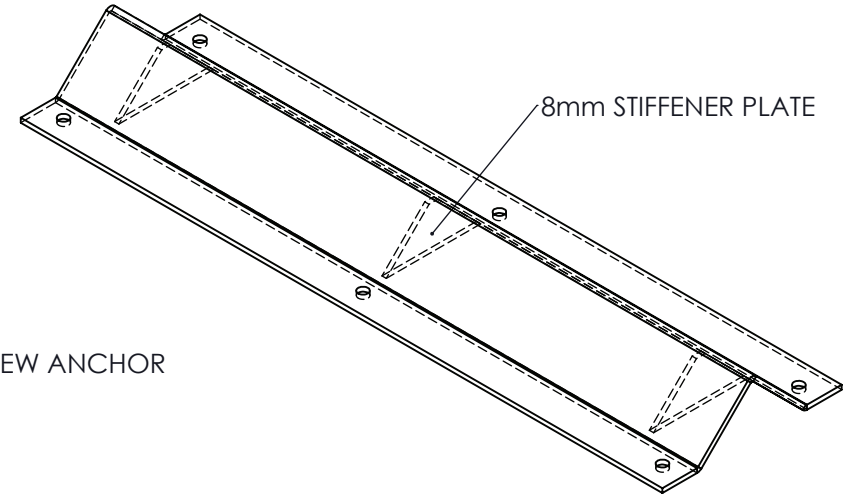


Ø18 16mm HEXAGON HEAD CONCRETE SCREW ANCHOR



FINISH:- GALVANISED TO BS EN ISO 1461



Mossfield road
Adderley Green, Longton,
Stoke on Trent, Staffs. ST3 5BW
Tel: 01782 339320 Fax: 01782 339321
www.iae.co.uk

TITLE STEEL WHEEL STOPS

CLIENT

SCALE N.T.S



DRAWN PED	CHECKED -----	DATE 11/09/2012
---------------------	-------------------------	---------------------------

DRG No. 015165-15	REV. .
--------------------------	---------------